



FDV SPEC SHEET

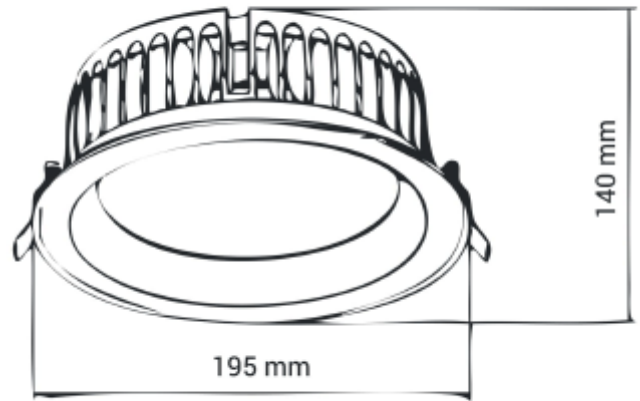
Auriga

Art. no: 736-2-40-1

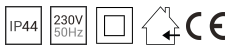


Lighting Solutions

Ø 176mm



Auriga



Art. no: 736-2-40-1

LIGHT TECHNICAL

| | |
|--------------------------|----------------|
| Lightsource Type: | LED (built in) |
| Lumen Output: | 2150 |
| Lumen LED (tc=25): | 2300 |
| Beam Angle: | 40° |
| CCT (Color Temperature): | 3000 |
| CRI / Ra: | 80 |
| Color Code: | 830 |
| Lens (Diffuser): | Clear |

MOUNTING / CONNECTION

| | |
|---------------|----------|
| Connection: | Cable 2m |
| Cut-out [mm]: | Ø176 |
| Mounting: | Recessed |

ELECTRICAL DATA

| | |
|--------------------------------------|-----------|
| Dimming: | None |
| System Power [W]: | 20 |
| System Voltage [V]: | 230V 50Hz |
| Protection Class: | 2 |
| Max load pr circuit - B10: | 31 |
| Max load pr circuit - B16: | 50 |
| Max load pr circuit - C10: | 52 |
| Max load pr circuit - C16: | 85 |
| Inrush current I _{max} [A]: | 5 |
| Inrush current time [µs]: | 50 |
| Socket / Cap-Base: | N/A |
| Current Output [mA]: | 500 |



FDV SPEC SHEET

Auriga

Art. no: 736-2-40-1



Lighting Solutions

PRODUCT

| | |
|-------------------------------|-----------------|
| To be recessed in insulation: | No |
| Ingress Protection: | IP44 |
| Impact Protection: | IK05 |
| Operating Temperature [°C]: | 35 - |
| Lifetime [h]: | L80B10: 100 000 |
| Color: | Grey |
| Height [mm]: | 140 |
| Width [mm]: | 195 |