

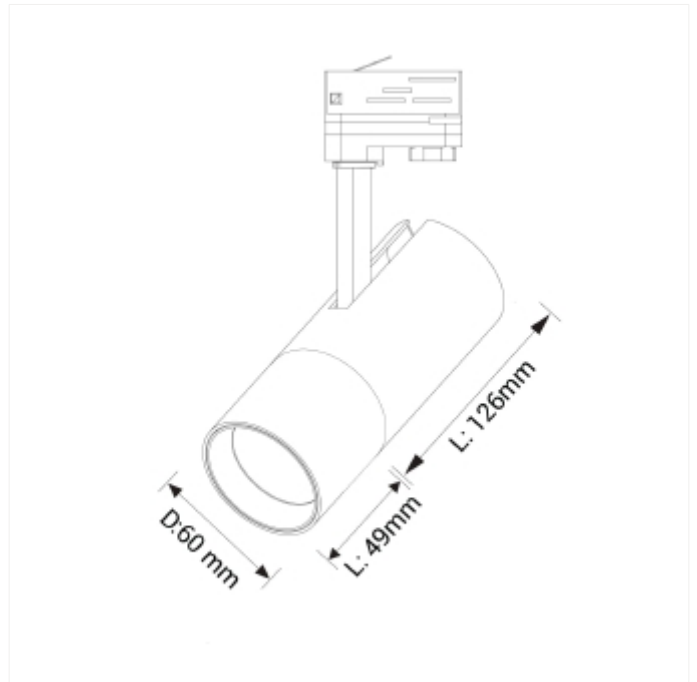


PRODUCT FAMILY SHEET

Cylinder 60



Lighting Solutions



Cylinder 60

The Cylinder 60 has the LED driver included in the lamp head and is available for use in 1-circuit and 3-circuit tracks, both models are available with a Dim to Warm option. It can be tilted 90 degrees and rotated 350 degrees on its own axis and comes with a variety of accessories.

VERSIONS

Art.No	Effect [W]	Cold Lumen [lm]	Lumen Output [lm]	CCT [K]	Beam Angle [°]	Lens Difuser	CRI [>]	Color	Light Control	Connection
60127-7-02-38 -2	14	1550		2700	38°	Clear	90	Black	Phase-Cut	Track 1-Circuit
60127-7-02-38 -3	14	1550		2700	38°	Clear	90	White	Phase-Cut	Track 1-Circuit
60330-7-02-38 -3	14	1600		3000	38° (15° & 25°)	Clear	90	White	Phase-Cut	Track 3-Circuit
60327-7-02-38 -2	14	1550		2700	38° (15° & 25°)	Clear	90	Black	Phase-Cut	Track 3-Circuit
60330-7-02-38 -2	14	1600		3000	38° (15° & 25°)	Clear	90	Black	Phase-Cut	Track 3-Circuit
60130-7-38-2	14	1650		3000	38° (15° & 25°)	Clear	90	Black	Phase-Cut	Track 1-Circuit
60127-7-25-3	14	1550		2700	25°	Clear	90	White	Phase-Cut	Track 1-Circuit
60327-7-25-3	14	1550		2700	25°	Clear	90	White	Phase-Cut	Track 3-Circuit
603DC-38-2	15	1100		00-2000K D	38°	Clear	95	Black	Phase-Cut	Track 3-Circuit
60327-25-3	14	1450		2700	25°	Clear	90	White	Phase-Cut	Track 3-Circuit
603DC-38-3	15	1100		00-2000K D	38°	Clear	95	White	Phase-Cut	Track 3-Circuit
601DC-38-2	15	1100		00-2000K D	38°	Clear	95	Black	Phase-Cut	Track 1-Circuit
601DC-38-3	15	1100		00-2000K D	38°	Clear	95	White	Phase-Cut	Track 1-Circuit

601DC-02-38-2

PRODUCT FAMILY SHEET

Cylinder 60



Lighting Solutions

	15	1100		00-2000K D	38°	Clear	95	Black	Phase-Cut	Track 1-Circuit
--	----	------	--	------------	-----	-------	----	-------	-----------	-----------------