

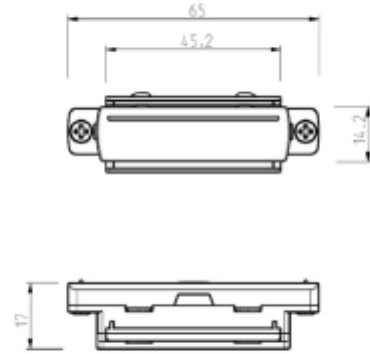


FDV SPEC SHEET

Global Straight connector 1-circuit WH
Art. no: GB21-3



Lighting Solutions



Global Straight connector 1-circuit WH

Art. no: GB21-3