

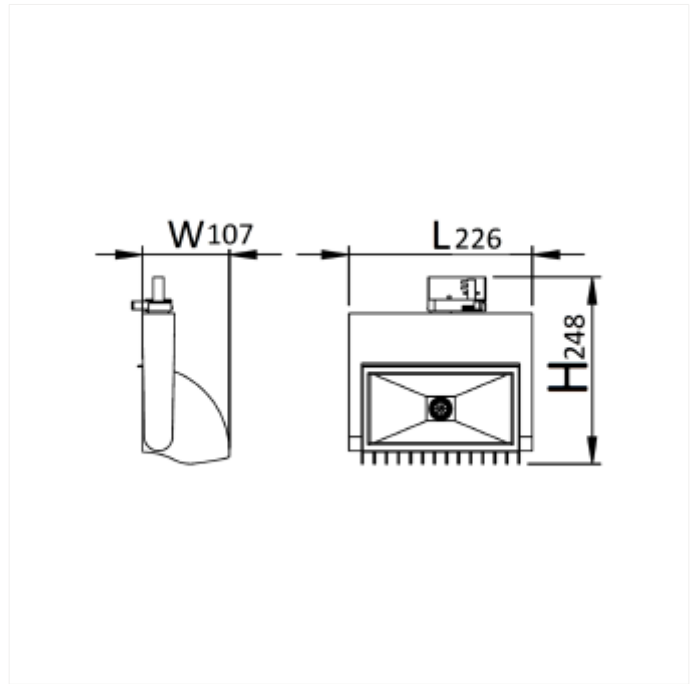


PRODUCT FAMILY SHEET

Lata Wall II



Lighting Solutions



Lata Wall II

Lata Wall II by Norlux is a linear track mounted luminaire with a reflector ensuring a wide spreading of the light, illuminating large surfaces. Lata Wall II is made from molded aluminum to ensure maximum lifetime expectancy. Lata Wall II has great flexibility, tillable 90° and rotatable 355°.

VERSIONS

Art.No	Effect [W]	Cold Lumen [lm]	Lumen Output [lm]	CCT [K]	Beam Angle [°]	Lens Difuser	CRI [>]	Color	Light Control	Connection
01103-00-3	41	4600	4550	4000	60°	Clear	80	White	None	Track 3-Circuit
01113-00-3	41		4450	3000	60°	Clear	80	White	None	Track 3-Circuit
01113-00-2	41	4500	4450	3000	60°	Clear	80	Black	None	Track 3-Circuit
01113-00-2-ddd	41	4500	4450	3000	60°	Clear	80	Black	DALI2	Track 3-Circuit