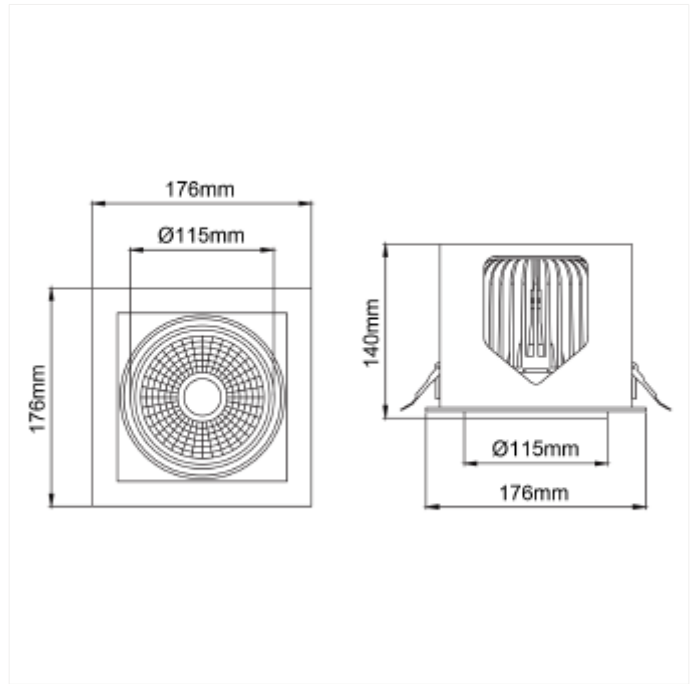




PRODUCT FAMILY SHEET

Manna Single



Manna Single

VERSIONS

Art.No	Effect [W]	Cold Lumen [lm]	Lumen Output [lm]	CCT [K]	Beam Angle [°]	Lens Difuser	CRI [>]	Color	Light Control	Connection
101243-40-2	35	4400	4170	3500	40°	Clear	90	Black	None	18i3 Quick connectio
101242-40-2	35	4400	4170	3000	40°	Clear	90	Black	None	18i3 Quick connectio
101242-40-3	35	4400	4170	3000	40°	Clear	90	White	None	18i3 Quick connectio
101243-40-3	35	4400	4170	3500	40°	Clear	90	White	None	18i3 Quick connectio