

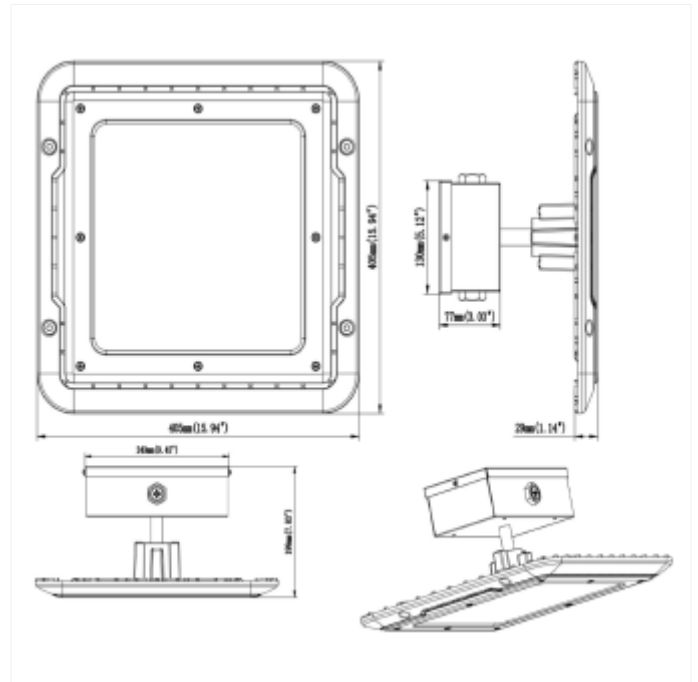


# PRODUCT FAMILY SHEET

Petrol



*Lighting Solutions*



## Petrol

Petrol is a high luminous efficacy luminaire ideal for gas station as a retrofit or new installation. Delivered with 4000K in two versions. 100W and 150W with up to 150lm/w. Suitable for garage/gas station, warehouse, industrial facility, exhibition center and shopping mall. Surface mount kit are bought separately.

### VERSIONS

Art.No	Effect [W]	Cold Lumen [lm]	Lumen Output [lm]	CCT [K]	Beam Angle [°]	Lens Difuser	CRI [>]	Color	Light Control	Connection
101422-3	150	21000	20130	4000	90°		80	White	1-10V	
101420-3	100	15500	14933	4000	90°		80	White	1-10V	