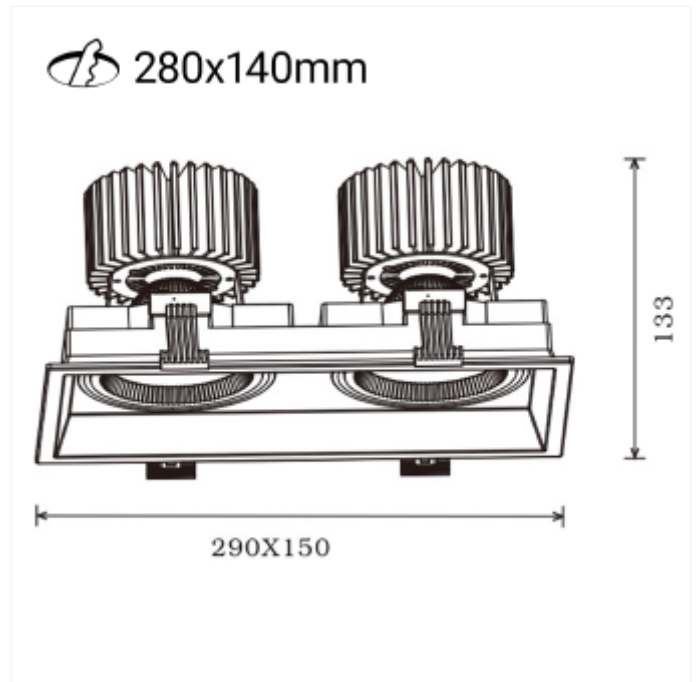




PRODUCT FAMILY SHEET

Quadro Double



Quadro Double

Quadro, a new downlight available in a single and a double version. The Quadro combines the design details from track mounted spotlights with those of downlights. This will make a very nice design element in premises where one needs both track mounted and recessed fixtures.

VERSIONS

Art.No	Effect [W]	Cold Lumen [lm]	Lumen Output [lm]	CCT [K]	Beam Angle [°]	Lens Difuser	CRI [>]	Color	Light Control	Connection
75202-7-30-3	2x31	8500		4000	30°	Clear	90	White	None	18i3 Quick connectio
75201-7-30-3	2x31	8100		3000	30°	Clear	90	White	None	18i3 Quick connectio
75201-20-2	2x33	7500		3000	20°	Clear	90	Black	None	18i3 Quick connectio
75201-30-2	2x33	7500		3000	30°	Clear	90	Black	None	18i3 Quick connectio
75201-30-3	2x33	7500		3000	30°	Clear	90	White	None	18i3 Quick connectio