

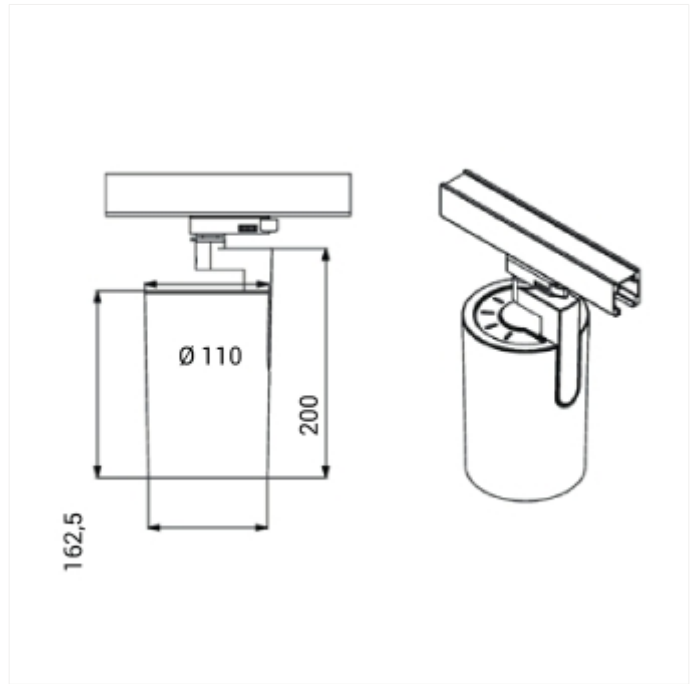


PRODUCT FAMILY SHEET

Ray Mini



Lighting Solutions



Ray Mini

Ray Mini uses the possibilities created by new technology. The LED driver is mounted inside the luminaire body. This gives us a slim design combined with a powerful light output that can be easily adjusted in all directions to meet all needs. Ray Mini can be tilted 90 degrees and rotated 350 degrees its own axis. To create further opportunities to play with light you can mount a diffuser on the luminaire, this can be ordered separately.

VERSIONS

Art.No	Effect [W]	Cold Lumen [lm]	Lumen Output [lm]	CCT [K]	Beam Angle [°]	Lens Difuser	CRI [>]	Color	Light Control	Connection
18160-6-30-2	23	3600	3290	4000	30°	Clear	80	Black	None	Track 3-Circuit
18157-6-40-3	23	2700		3500	40°	Clear	80	White	None	Track 3-Circuit
18160-5-20-3	23	3200		4000	20°	Clear	80	White	None	Track 3-Circuit
18156-6-20-2	23	2700	2460	Arctic White	20°	Clear	95	Black	None	Track 3-Circuit
18156-6-30-2	23	2700	2545	Arctic White	30°	Clear	95	Black	None	Track 3-Circuit
18156-6-30-3	23	2700	2545	Arctic White	30°	Clear	95	White	None	Track 3-Circuit
18160-6-40-3	23	3600	3231	4000	40°	Clear	80	White	None	Track 3-Circuit