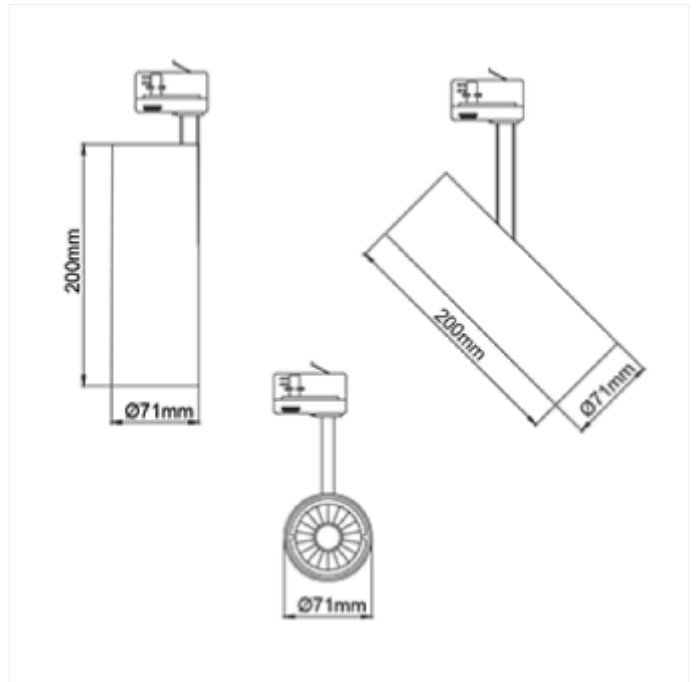




## PRODUCT FAMILY SHEET

### Silindir 70



# Silindir 70

The Silindir uses the possibilities created by new technology. The LED driver is mounted inside the luminaire body. This gives us a slim design combined with a powerful light output that can be easily adjusted in all directions to meet all needs. Cylinder can be tilted 90 degrees and rotated 350 degrees its own axis.

## VERSIONS

Art.No	Effect [W]	Cold Lumen [lm]	Lumen Output [lm]	CCT [K]	Beam Angle [°]	Lens Difuser	CRI [>]	Color	Light Control	Connection
1081-7-40-2	20	2500	2400	3000	40°	Clear	90	Black	None	Track 3-Circuit
1081-7-24-3-d dd	20	2500	2300	3000	24°	Clear	90	White	DALI2	Track 3-Circuit+dim
1081-7-40-3	20	2500	2400	3000	40°	Clear	90	White	None	Track 3-Circuit
101090-7-30-3-ddd	19			2700	30	Clear	90	White	DALI	Track 3-Circuit+dim
1081-7-40-3-d dd	20	2500	2400	3000	40°	Clear	90	White	DALI2	Track 3-Circuit+dim
1081-7-40-2-d dd	20	2500	2400	3000	40°	Clear	90	Black	DALI2	Track 3-Circuit+dim
1081-6-40-2-d dd	20		1962	3000	40	Clear	90	Black		
101090-7-40-3	20	2500		2700	40°	Clear	90	White	None	Track 3-Circuit
1081-7-24-1-p	20	2500	2300	3000	24°	Clear	90	Grey	Phase-Cut	Track 3-Circuit
101090-7-40-2	20	2500		2700	40	Clear	90	Black	None	Track 3-Circuit
101091-7-24-3 -p	24	2800		3000	24°	Clear	90	White	Phase-Cut	Track 3-Circuit