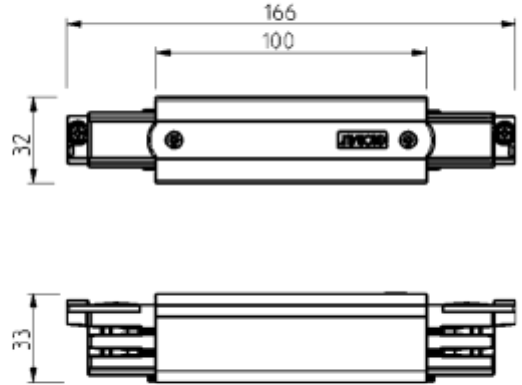




FDV SPEC SHEET
Global Pro Middle Feed GR
Art. no: XTS14-1



Global Pro Middle Feed GR

Art. no: XTS14-1