

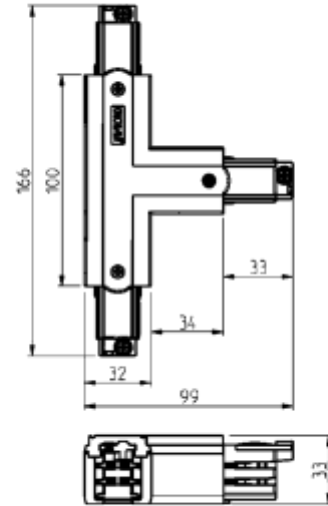


FDV SPEC SHEET

Global Pro T-feed Left (inside) 3-circuit BK
Art. no: XTS37-2



Lighting Solutions



Global Pro T-feed Left (inside) 3-circuit BK

Art. no: XTS37-2