



PRODUCT SHEET

Zeta Mini

Art. no: 1008-7-15-3

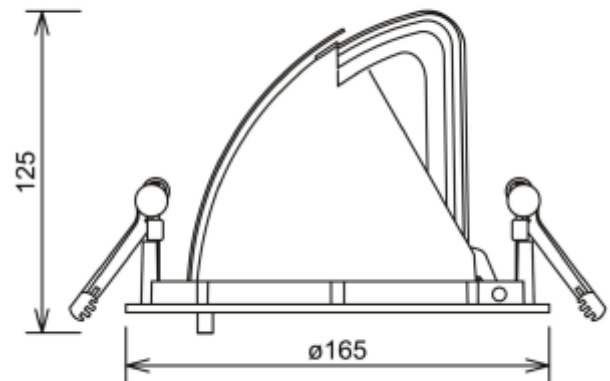


Lighting Solutions

Zeta Mini

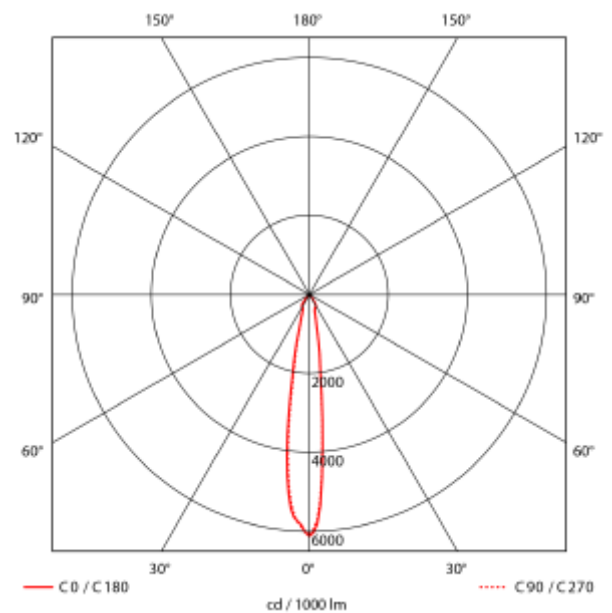


 155mm



SPECIFICATIONS

| | |
|-------------------------------|-----------------------|
| Lightsource Type: | LED (built in) |
| System Power [W]: | 27W |
| CCT (Color Temperature): | 3000K |
| CRI / Ra: | 90 |
| Lumen Output: | 2865lm |
| Lumen LED (tc=25): | 3600lm |
| Beam Angle: | 15° |
| Lens (Diffuser): | Clear |
| Dimming: | None |
| System Voltage [V]: | 230V 50Hz |
| Connection: | 18i3 Quick connection |
| Mounting: | Recessed, Ceiling |
| Cut-out [mm]: | Ø155mm |
| Lifetime [h]: | L80B10: 100 000h |
| Lumen/W: | 106lm/W |
| MacAdam (SDCM): | 3 |
| Color: | White |
| Length [mm]: | 165mm |
| Height [mm]: | 125mm |
| Width [mm]: | 165mm |
| Weight [kg]: | 0,95kg |
| To be recessed in insulation: | No |



Zeta Mini is a small flexible LED downlight replacing the well-known Zebra mini, offering the same great quality and adjustment possibilities. The Zeta mini is supplied with 18i3 cable connector and can be delivered with a variety of connection options. The down light is available in three different colors.