



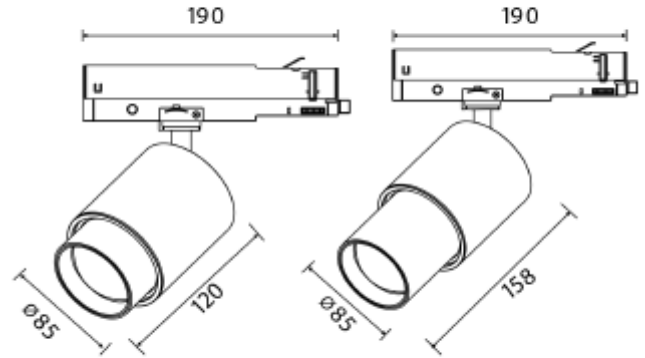
FDV SPEC SHEET

Zoom Spotlight

Art. no: 101142-660-3-p



Lighting Solutions



Zoom Spotlight



Art. no: 101142-660-3-p

LIGHT TECHNICAL

Lightsource Type:	LED (built in)
Lumen LED (tc=25):	1850
Beam Angle:	6-60
CCT (Color Temperature):	3000
CRI / Ra:	90
Color Code:	930
MacAdam (SDCM):	3
Lens (Diffuser):	Clear



FDV SPEC SHEET

Zoom Spotlight

Art. no: 101142-660-3-p



MOUNTING / CONNECTION

Connection: Track 3-Circuit

Mounting: Track

PRODUCT

Ingress Protection: IP20

Lifetime [h]: L80B10: 100 000

Color: White

RAL: RAL9003

Length [mm]: 158

Diameter [mm]: 85

Weight [kg]: 1

Housing Material : Aluminium

Housing Material : Aluminium

ELECTRICAL DATA

Dimming: Phase-Cut

Flickerfree: Yes

Flicker metric (Pst LM) <: 1

Stroboscopic effect metric (SVM) <: 0,4

System Power [W]: 20

System Voltage [V]: 230V 50Hz

Dimming Output Type: Amplitude Modulation

Dimming Phasecut Type: Trailing edge

Protection Class: 1

Max load pr circuit - B10: 28

Max load pr circuit - B16: 46

Max load pr circuit - C10: 28

Max load pr circuit - C16: 46

Inrush current I_{max} [A]: 15

Inrush current time [µs]: 40

Socket / Cap-Base: N/A

Current Output [mA]: 500

Voltage Forward Min [V]: 35

Voltage Forward Max [V]: 40

Dimming Output Type: Amplitude Modulation

Dimming Phasecut Type: Trailing edge