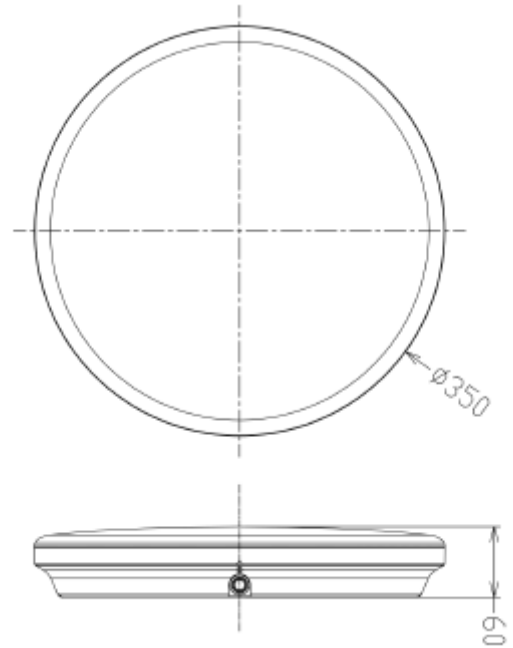
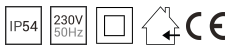




FDV SPEC SHEET
 Celestial Plafond
 Art. no: 101575-E-S-120-3



Celestial Plafond



Art. no: 101575-E-S-120-3

| LIGHT TECHNICAL | |
|--------------------------|----------------|
| Lightsource Type: | LED (built in) |
| Lumen Output: | 2750 |
| Lumen LED (tc=25): | 2900 |
| Beam Angle: | 120° |
| CCT (Color Temperature): | 2700-3000K |
| CRI / Ra: | 80 |
| Color Code: | 827/830 |
| MacAdam (SDCM): | 3 |
| Lens (Diffuser): | Opal |

| ELECTRICAL DATA | |
|-------------------------------------|-------------|
| Dimming: | Sensor (MW) |
| Standby power Psb (W) <: | 0,5 |
| Flicker metric (Pst LM) <: | 1 |
| Stroboscopic effect metric (SVM) <: | 0,4 |
| System Power [W]: | 25 |
| System Voltage [V]: | 230V 50Hz |
| Protection Class: | 2 |
| Max load pr circuit - B10: | 24 |
| Max load pr circuit - B16: | 38 |
| Max load pr circuit - C10: | 24 |
| Max load pr circuit - C16: | 38 |
| Leakage current [mA]: | 0,75 |
| Inrush current Imax [A]: | 29,4 |
| Inrush current time [µs]: | 81 |
| Current Output [mA]: | 600 |
| Emergency light [h]: | 3 hours |
| Emergency light testing: | Selftest |
| Emergency lumen out [lm]: | 300 |

| MOUNTING / CONNECTION | |
|-----------------------|---------------|
| Connection: | QuickConnect |
| Mounting: | Wall, Ceiling |



FDV SPEC SHEET

Celestial Plafond

Art. no: 101575-E-S-120-3



Lighting Solutions

PRODUCT

| | |
|-----------------------------|-----------------|
| Ingress Protection: | IP54 |
| Impact Protection: | IK06 |
| Operating Temperature [°C]: | -20 - 45 |
| Lifetime [h]: | L80B10: 100 000 |
| Color: | White |
| RAL: | RAL9016 |
| Height [mm]: | 60 |
| Diameter [mm]: | 350 |
| Weight [kg]: | 1,25 |
| Housing Material : | Polycarbonate |
| Diffuser Material: | Polycarbonate |