

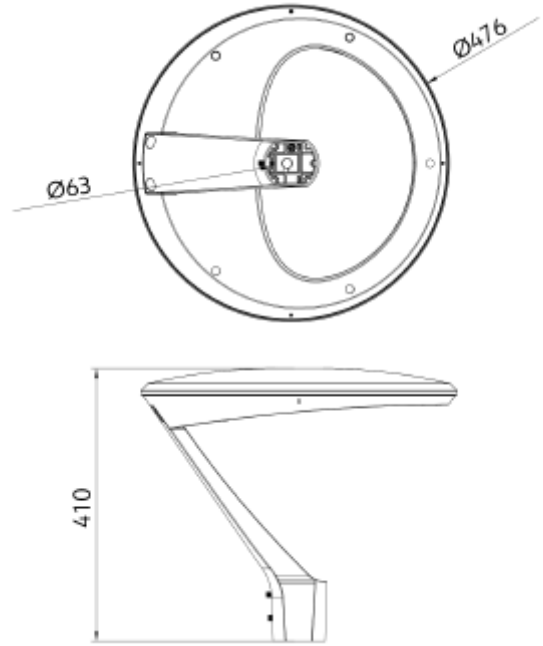


FDV SPEC SHEET

Theros Lite
Art. no: 101740-01-1



Lighting Solutions



Theros Lite



Art. no: 101740-01-1

LIGHT TECHNICAL

Lumen Output:	3472
Lumen LED (tc=25):	3813
CCT (Color Temperature):	3000
CRI / Ra:	80
Color Code:	830

MOUNTING / CONNECTION

Connection:	Cable 5m
Mounting:	Mast

ELECTRICAL DATA

Dimming:	None
System Power [W]:	31
System Voltage [V]:	230V 50Hz
Protection Class:	1
Socket / Cap-Base:	N/A



FDV SPEC SHEET

Theros Lite

Art. no: 101740-01-1



Lighting Solutions

PRODUCT

Ingress Protection:	IP66
Impact Protection:	IK08
Wind force (EPA) [m2]:	0,15
Surge Protection:	L-N = 4KV, L/N-PE = 6KV
Operating Temperature [°C]:	-30 - 50
Lifetime [h]:	L80B50: 100 000
Color:	Grey
RAL:	RAL7022
Height [mm]:	410
Diameter [mm]:	476
Weight [kg]:	7,1