




## FDV SPEC SHEET

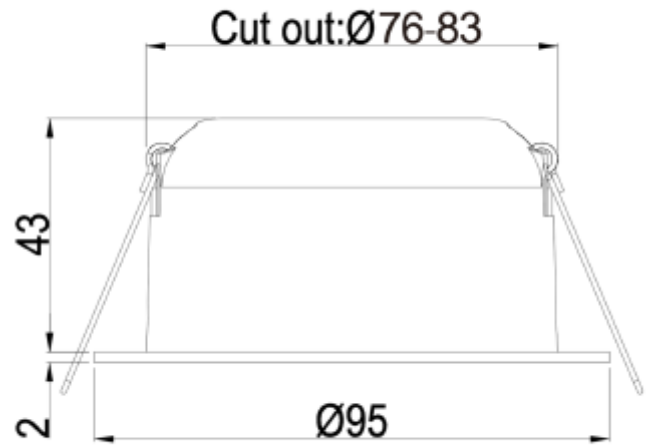
Tigrus Tilttable  
Art. no: 24930-36-3



Lighting Solutions



 76-83mm



## Tigrus Tilttable



Art. no: 24930-36-3

### LIGHT TECHNICAL

Lumen Output:	530
Lumen LED (tc=25):	550
Beam Angle:	36°
CCT (Color Temperature):	3000
CRI / Ra:	95
Color Code:	930
MacAdam (SDCM):	3
Lens (Diffuser):	Clear



## FDV SPEC SHEET

Tigrus Tilttable

Art. no: 24930-36-3



### MOUNTING / CONNECTION

Connection:	QuickConnect
Cut-out [mm]:	Ø76-Ø83
Mounting:	Recessed, Ceiling

### PRODUCT

To be recessed in insulation:	Yes, recessed in insulation
Ingress Protection:	IP44
Impact Protection:	IK02
Operating Temperature [°C]:	-20 - 45
Lifetime [h]:	L80B10: 100 000
Color:	White
Height [mm]:	45
Width [mm]:	95
Housing Material :	Aluminium
Diffuser Material:	Aluminium
Material 2:	Polycarbonate
Housing Material :	Aluminium
Diffuser Material:	Aluminium
Material 2:	Polycarbonate

### ELECTRICAL DATA

Dimming:	Phase-Cut
Dimming Phasecut Type:	Leading / Trailing edge
Flickerfree:	Yes
Flicker metric (Pst LM) <:	1
Stroboscopic effect metric (SVM) <	0,4
System Power [W]:	7
System Voltage [V]:	230V 50Hz
Protection Class:	2
Max load pr circuit - B10:	35
Max load pr circuit - B16:	56
Max load pr circuit - C10:	74
Max load pr circuit - C16:	118
Leakage current [mA]:	5
Inrush current I <sub>max</sub> [A]:	5
Inrush current time [µs]:	300
Socket / Cap-Base:	N/A
Current Output [mA]:	350
Voltage Forward Min [V]:	13
Voltage Forward Max [V]:	18
Dimming Phasecut Type:	Leading / Trailing edge