



## FDV SPEC SHEET

Ceto Fixed

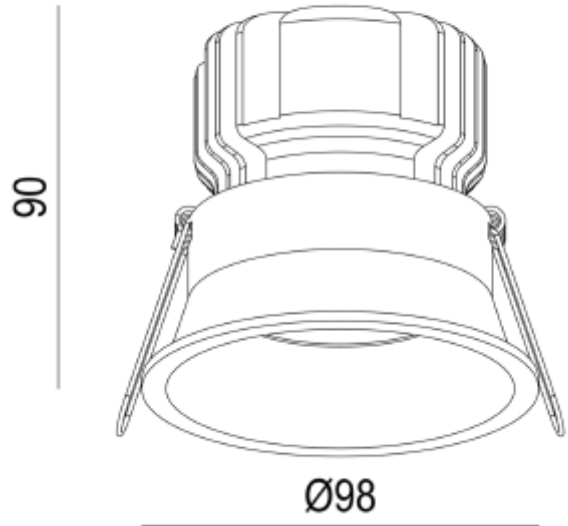
Art. no: 28930-2-36-2



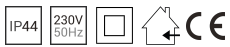
Lighting Solutions



92mm



## Ceto Fixed



Art. no: 28930-2-36-2

### LIGHT TECHNICAL

Lumen LED (tc=25):	1500
Beam Angle:	36°
CCT (Color Temperature):	3000
CRI / Ra:	90
Color Code:	930
MacAdam (SDCM):	3
Lens (Diffuser):	Clear

### MOUNTING / CONNECTION

Connection:	QuickConnect
Cut-out [mm]:	Ø92
Mounting:	Recessed, Ceiling

### ELECTRICAL DATA

Dimming:	Phase-Cut
Flickerfree:	Yes
System Power [W]:	15
System Voltage [V]:	230V 50Hz
Protection Class:	2
Socket / Cap-Base:	N/A



## FDV SPEC SHEET

Ceto Fixed

Art. no: 28930-2-36-2



*Lighting Solutions*

### PRODUCT

To be recessed in insulation:	No
Ingress Protection:	IP44
Impact Protection:	IK02
Operating Temperature [°C]:	-20 - 45
Lifetime [h]:	L80B10: 100 000
Color:	Black
Height [mm]:	90
Diameter [mm]:	98
Weight [kg]:	0,25