



PRODUCT SHEET

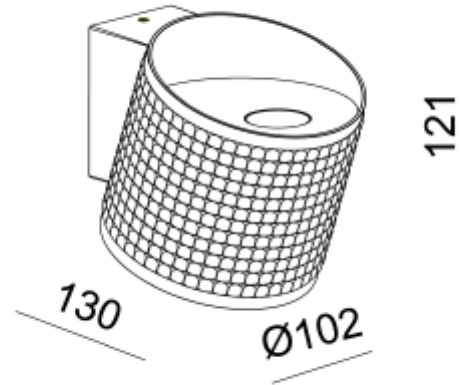
Apollo Plus

Art. no: 3534-26



Lighting Solutions

Apollo Plus



SPECIFICATIONS

Lightsource Type:	LED (built in)
System Power [W]:	2x4,6W
CCT (Color Temperature):	2700K
CRI / Ra:	90
Lumen Output:	612lm
Lumen LED (tc=25):	2x350lm
Lens (Diffuser):	Clear
Dimming:	Phase-Cut
System Voltage [V]:	230V 50Hz
Connection:	Terminal
Mounting:	Surface, Wall
Lumen/W:	65lm/W
Color:	Black/Gold
Length [mm]:	130mm
Height [mm]:	121mm
Width [mm]:	102mm
Weight [kg]:	0,5kg

