



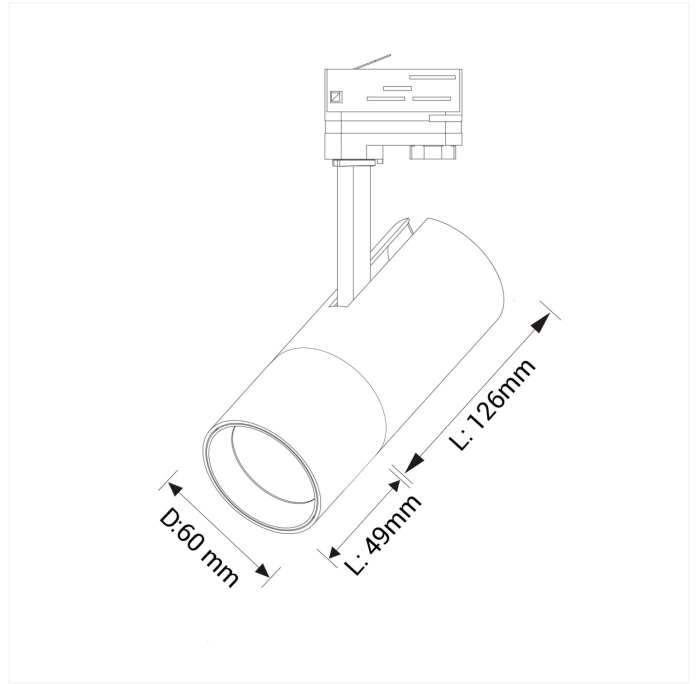
FDV SPEC SHEET

Cylinder 60

Art. no: 60130-7-38-3



Lighting Solutions



Cylinder 60



Art. no: 60130-7-38-3

LIGHT TECHNICAL

| | |
|--------------------------|-----------------|
| Lightsource Type: | LED (built in) |
| Lumen LED (tc=25): | 1650 |
| Beam Angle: | 38° (15° & 25°) |
| CCT (Color Temperature): | 3000 |
| CRI / Ra: | 90 |
| Color Code: | 930 |
| Lens (Diffuser): | Clear |

MOUNTING / CONNECTION

| | |
|-------------|-----------------|
| Connection: | Track 1-Circuit |
| Mounting: | Track, Ceiling |

PRODUCT

| | |
|---------------------|----------------|
| Ingress Protection: | IP20 |
| Lifetime [h]: | L80B10: 60 000 |
| Color: | White |
| Height [mm]: | 220 |
| Width [mm]: | 60 |
| Weight [kg]: | 0,6 |

ELECTRICAL DATA

| | |
|----------------------------|-------------------------|
| Dimming: | Phase-Cut |
| System Power [W]: | 14 |
| System Voltage [V]: | 230V 50Hz |
| Dimming Phasecut Type: | Leading / Trailing edge |
| Protection Class: | 1 |
| Max load pr circuit - B10: | 50 |
| Max load pr circuit - B16: | 80 |
| Max load pr circuit - C10: | 50 |
| Max load pr circuit - C16: | 80 |
| Inrush current time [µs]: | 40 |
| Socket / Cap-Base: | N/A |
| Current Output [mA]: | 350 |
| Dimming Phasecut Type: | Leading / Trailing edge |