

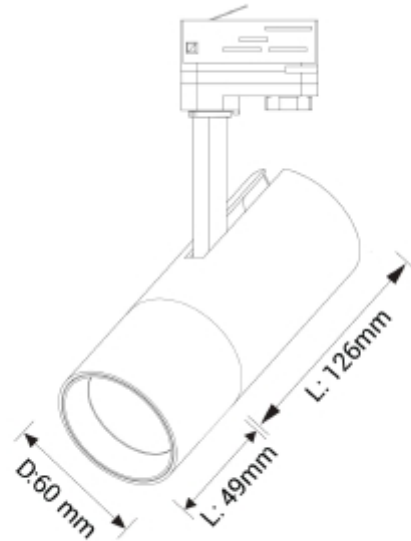


## FDV SPEC SHEET

Cylinder 60  
Art. no: 603DC-38-3



Lighting Solutions



# Cylinder 60



Art. no: 603DC-38-3

### LIGHT TECHNICAL

|                          |                |
|--------------------------|----------------|
| Lightsource Type:        | LED (built in) |
| Lumen LED (tc=25):       | 1100           |
| Beam Angle:              | 38°            |
| CCT (Color Temperature): | 3000-2000K D2W |
| CRI / Ra:                | 95             |
| Color Code:              | 930            |
| Lens (Diffuser):         | Clear          |

### MOUNTING / CONNECTION

|             |                 |
|-------------|-----------------|
| Connection: | Track 3-Circuit |
| Mounting:   | Track, Ceiling  |

### PRODUCT

|                     |                 |
|---------------------|-----------------|
| Ingress Protection: | IP20            |
| Lifetime [h]:       | L80B10: 100 000 |
| Color:              | White           |
| Height [mm]:        | 220             |
| Width [mm]:         | 60              |
| Weight [kg]:        | 0,6             |

### ELECTRICAL DATA

|                            |                         |
|----------------------------|-------------------------|
| Dimming:                   | Phase-Cut               |
| System Power [W]:          | 15                      |
| System Voltage [V]:        | 230V 50Hz               |
| Dimming Output Type:       | Amplitude Modulation    |
| Dimming Phasecut Type:     | Leading / Trailing edge |
| Protection Class:          | 1                       |
| Max load pr circuit - B10: | 50                      |
| Max load pr circuit - B16: | 80                      |
| Max load pr circuit - C10: | 50                      |
| Max load pr circuit - C16: | 80                      |
| Inrush current time [µs]:  | 40                      |
| Socket / Cap-Base:         | N/A                     |
| Current Output [mA]:       | 350                     |
| Dimming Output Type:       | Amplitude Modulation    |
| Dimming Phasecut Type:     | Leading / Trailing edge |