

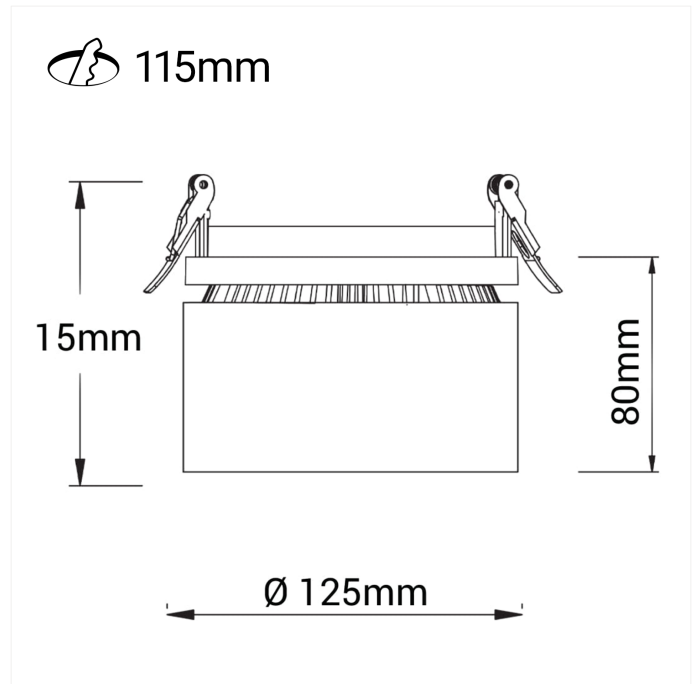


## FDV SPEC SHEET

Suri Recessed  
Art. no: 6566-18-3



Lighting Solutions



# Suri Recessed



Art. no: 6566-18-3

### LIGHT TECHNICAL

Lightsource Type:	LED (built in)
Lumen LED (tc=25):	3000
Beam Angle:	18°
CCT (Color Temperature):	3000
CRI / Ra:	80
Color Code:	830
Lens (Diffuser):	Clear

### MOUNTING / CONNECTION

Connection:	18i3 Quick connection
Cut-out [mm]:	Ø115
Mounting:	Partial-recessed, Ceiling

### ELECTRICAL DATA

Dimming:	None
System Power [W]:	32
System Voltage [V]:	230V 50Hz
Protection Class:	2
Max load pr circuit - B10:	14
Max load pr circuit - B16:	24
Max load pr circuit - C10:	24
Max load pr circuit - C16:	40
Inrush current I <sub>max</sub> [A]:	25
Inrush current time [µs]:	150
Current Output [mA]:	700



## FDV SPEC SHEET

Suri Recessed

Art. no: 6566-18-3



*Lighting Solutions*

### PRODUCT

To be recessed in insulation:	No
Ingress Protection:	IP20
Color:	White
Length [mm]:	125
Height [mm]:	75
Width [mm]:	125
Weight [kg]:	1,15