



PRODUCT SHEET

Leila C Midi

Art. no: 6921-67-3

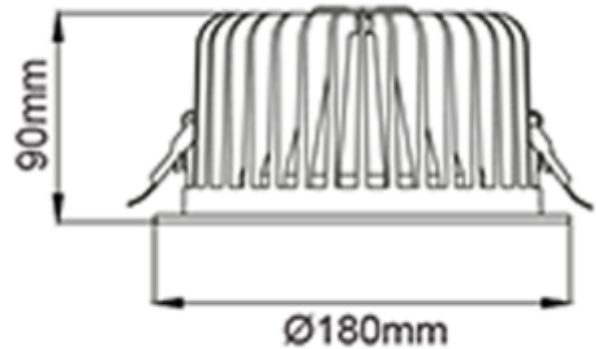


Lighting Solutions

Leila C Midi



165mm



Leila C Midi is a highly efficient downlight with 126 lm/W. With wide beam angle and rotationally symmetric light distribution, it's suitable for all places that require high lumen output. Can be delivered with on / off, phasecut or DALI2 driver. See accessories for suitable driver.

SPECIFICATIONS

System Power [W]:	16W
CCT (Color Temperature):	3000K
CRI / Ra:	90
Lumen LED (tc=25):	2100lm
Beam Angle:	67°
Lens (Diffuser):	Clear
Dimming:	Depending on Driver
System Voltage [V]:	230V 50Hz
Connection:	Depending on driver
Mounting:	Recessed, Ceiling
Cut-out [mm]:	Ø165mm
Lifetime [h]:	L80B10: 100 000h
MacAdam (SDCM):	3
Color:	White
Height [mm]:	120mm
Width [mm]:	180mm
Weight [kg]:	1,1kg
To be recessed in insulation:	No