



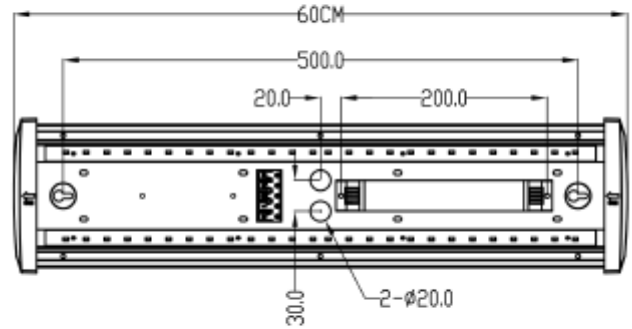
FDV SPEC SHEET

Universal IP44

Art. no: 8070-MW-105-3



Lighting Solutions



Universal IP44



Art. no: 8070-MW-105-3

LIGHT TECHNICAL

Lightsource Type:	LED (built in)
Lumen Output:	1782
Lumen LED (tc=25):	2000
Beam Angle:	105°
CCT (Color Temperature):	3000
CRI / Ra:	80
Color Code:	830
MacAdam (SDCM):	3
Lens (Diffuser):	PMMA Opal

MOUNTING / CONNECTION

Connection:	QuickConnect
Through-wiring (mm2):	5x2,5
Mounting:	Surface, Ceiling

ELECTRICAL DATA

Dimming:	Sensor (MW)
System Power [W]:	16
System Voltage [V]:	230V 50Hz
Protection Class:	1
Socket / Cap-Base:	N/A



FDV SPEC SHEET

Universal IP44

Art. no: 8070-MW-105-3



Lighting Solutions

PRODUCT

Ingress Protection:	IP44
Operating Temperature [°C]:	-20 - 25
Lifetime [h]:	L80B10: 100 000
Color:	White
Length [mm]:	600
Height [mm]:	59
Width [mm]:	150
Weight [kg]:	1,4