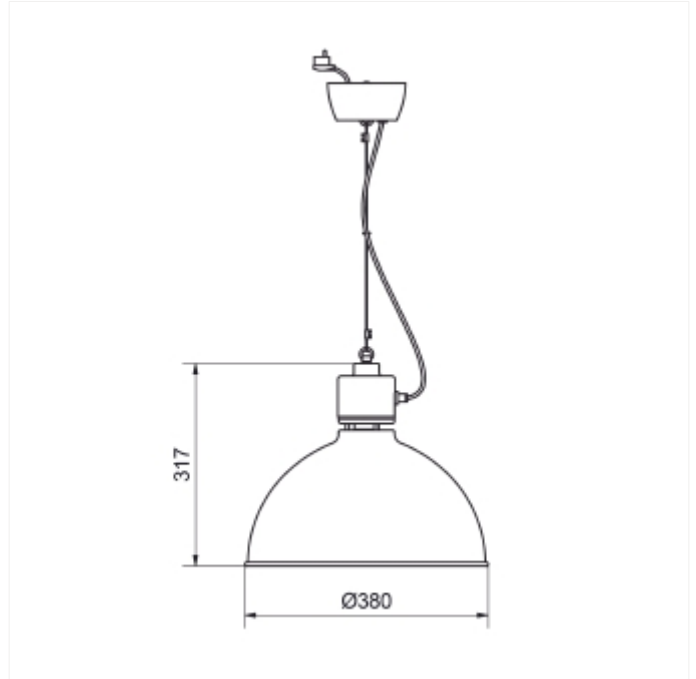




PRODUCT FAMILY SHEET

Magnum Pendant



Magnum Pendant

The Magnum pendant range has its inspiration from old machinery and engine parts. The raw visible structure available in four different colors creates an inspiring atmosphere. The Magnum pendants are made from metal and are well suited for ceiling hooks as they come with textile cord and wire. Please see product sheet for further details.

VERSIONS

Art.No	Effect [W]	Cold Lumen [lm]	Lumen Output [lm]	CCT [K]	Beam Angle [°]	Lens Difuser	CRI [>]	Color	Light Control	Connection
100586								Black	t bulb depe	Terminal
1005155								Grey	t bulb depe	Terminal
T1005-66								White	t bulb depe	Terminal