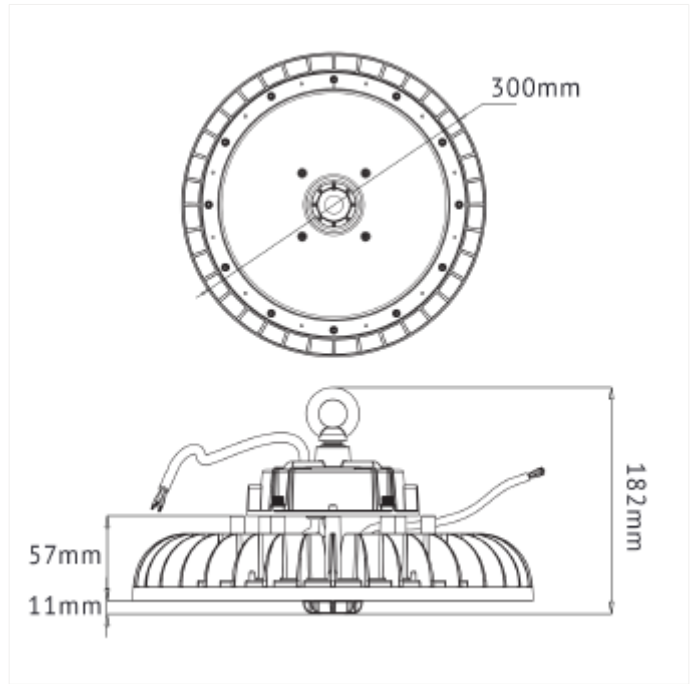




**PRODUCT FAMILY SHEET**  
Ufo B High Bay 150W



## Ufo B High Bay 150W

Ufo B high bay 150W is absolute top-notch concerning light output and mechanical strength. The luminaire is classified accordance to the IP65 norm. This makes UFO B very suitable for use in tough conditions. The light output from the UFO B is >160 lm/W, makes this a perfect choice. Add a PIR or microwave sensor to make your light control more cost efficient. Sensor can not be used together with DALI2 version. Ufo B high Bay are delivered with 1-10V / PWM dimming or DALI2. See accessories for variable choice of lampshade and lenses.

### VERSIONS

Art.No	Effect [W]	Cold Lumen [lm]	Lumen Output [lm]	CCT [K]	Beam Angle [°]	Lens Difuser	CRI [>]	Color	Light Control	Connection
4214-02-2	150	24500	24350	4000	120	Lens	80	Black	PWM, 1-10V	i3 5m + 2x0,4m free e
4214-01-2-ddd	150	26800	24350	4000	120	Lens	80	Black	DALI2	18i5 DALI 5m
4213-01-2-ddd	150	23350		3000	120	Lens	80	Black	DALI2	18i5 DALI 5m
4216-02-2	150	25000	24300	6500	120	Lens	80	Black	PWM, 1-10V	i3 5m + 2x0,4m free e