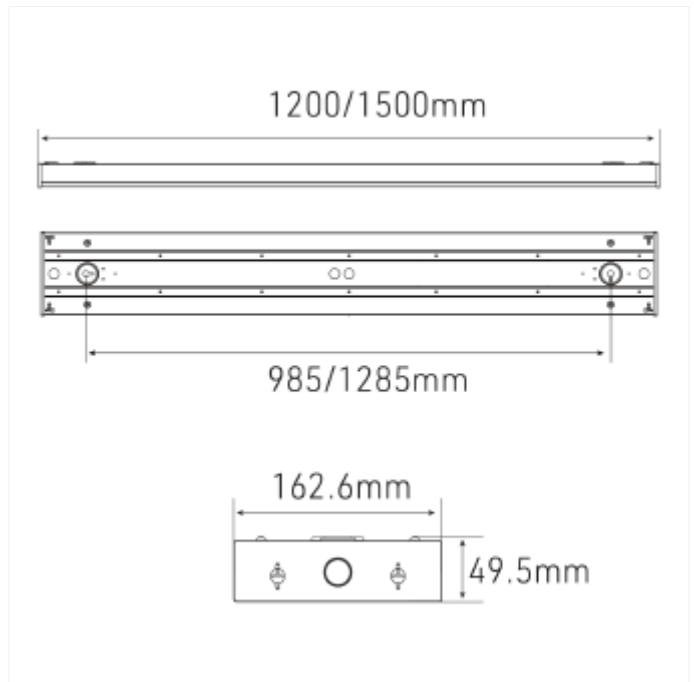




PRODUCT FAMILY SHEET

Uniplus Interior



Uniplus Interior

Uniplus is a surface mounted luminaire with the latest technology and optics to ensure a high luminous efficiency and low glare. -Low glare UGR19
-Up to 150lm/W -Easy and fast installation. -Suspended installation (accessory)

VERSIONS

| Art.No | Effect [W] | Cold Lumen [lm] | Lumen Output [lm] | CCT [K] | Beam Angle [°] | Lens Difuser | CRI [>] | Color | Light Control | Connection |
|------------------|------------|-----------------|-------------------|---------|----------------|--------------|---------|-------|---------------|----------------|
| 103052-90-3 | 3/29/34/ | 6200 | 5670 | 3000 | 90° | Micropris. | 80 | White | None | QuickConnect |
| 103052-90-3-d dd | 34W | 5200 | 4590 | 3000 | 90° | Micropris. | 80 | White | DALI2 | Terminalx2 |
| 103050-90-3 | 8/22/27/ | 5000 | 4500 | 3000 | 90° | Micropris. | 80 | White | None | Quickconnectx2 |