

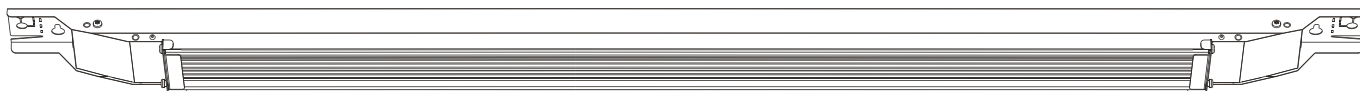
ART. NO.

102511-00-1
102511-01-1
102512-00-1
102512-01-1
102516-00-1
102516-01-1

102517-00-1
102517-00-1-ddd
102517-01-1
102517-NW-01-1

NORLUX[®]

Lighting Solutions



C Line

INSTALLATION MANUAL

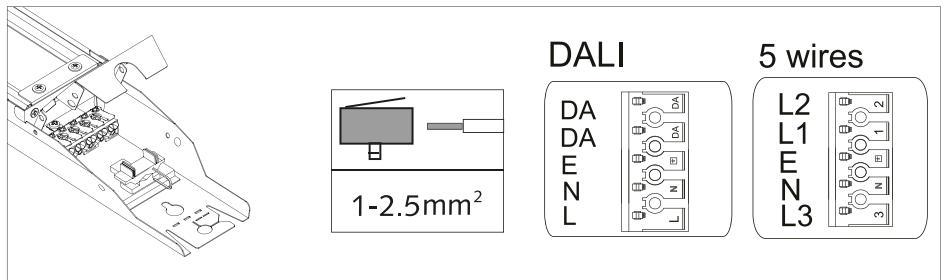
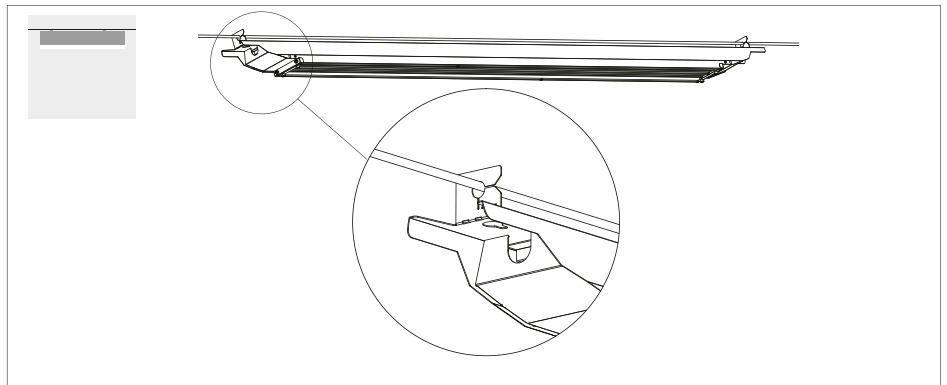
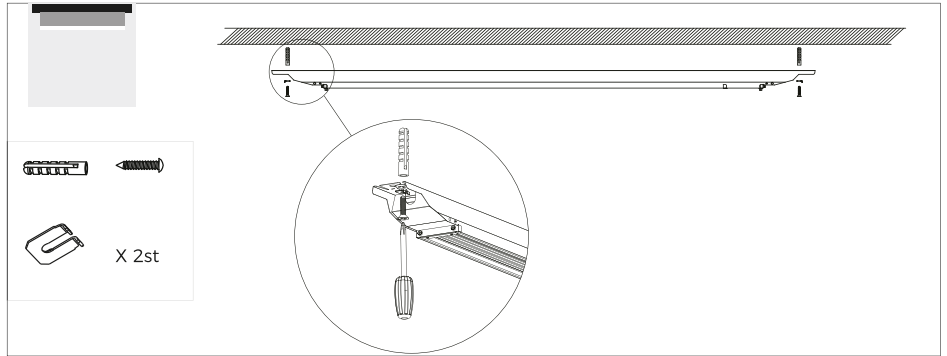
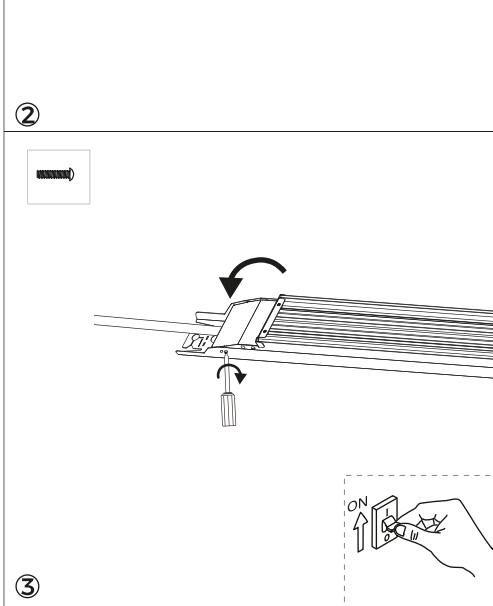
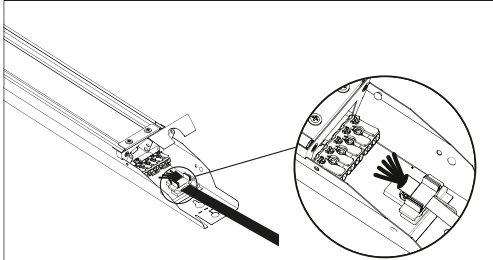
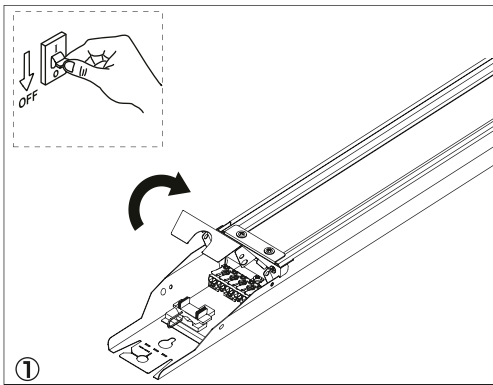
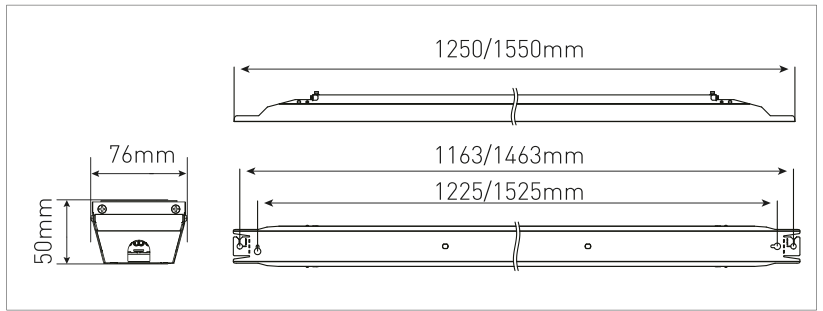


⚠ Safety Notes:

- The product must be installed, maintained, and operated as instructions below.
- Before starting installation of this product, make sure power supply is disconnected.
- Only to be installed by authorized electrician.
- Do not use abrasives or solvents when cleaning.
- Do not install the product if it appears damaged in any way. Check with manufacturer if in doubt.
- Do not modify this fitting in any matter as this will void warranty.
- Check protection class, if class I, it must be earthed.
- Disconnect power supply before maintenance or cleaning.

⚠ Sikkerhetsinformasjon:

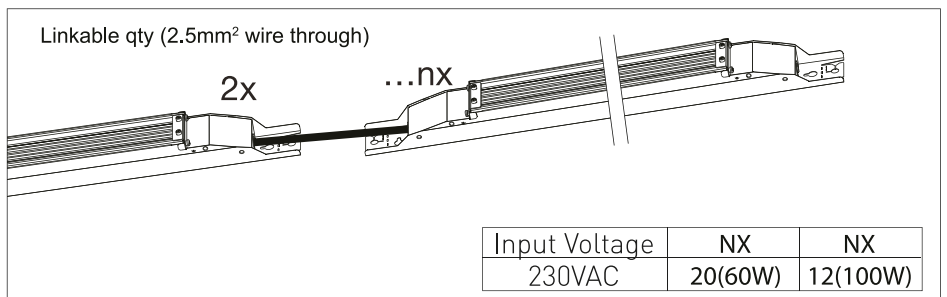
- Følg installasjonsmanual for korrekt montering.
- Koble alltid fra strømmen før montering eller vedlikehold.
- Kan kun monteres av autorisert elektriker.
- Monter ikke produktet hvis det er synlig skade. Kontakt forhandler eller produsent.
- Bruk ikke løsemidler ved rengjøring
- Produktet skal ikke under noen omstendigheter endres eller modifiseres.
- Sjekk produktets isolasjonsklasse. Ved isolasjonsklasse I skal produktet jordes.



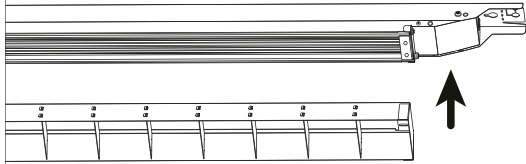
Circuit breakers

	B10	B16	C10	C16
60W	11	18	18	29
100W	6	9	9	15

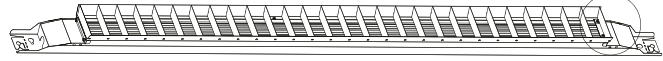
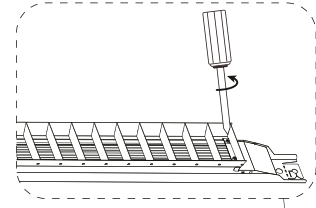
1 2 3 ... n



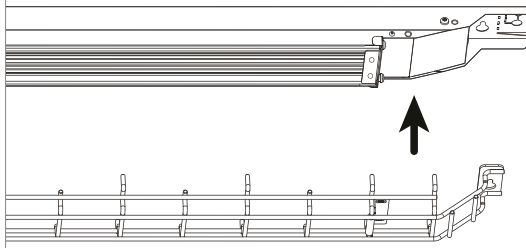
Louver accessory



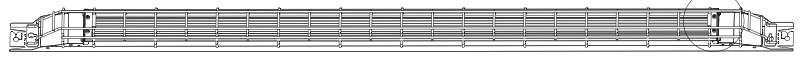
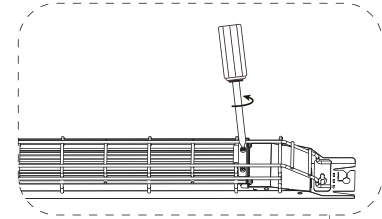
⊕ X 4st



Grid accessory

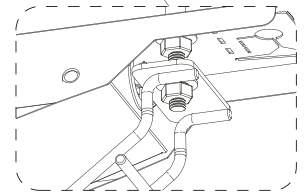
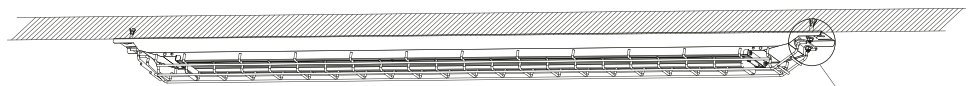


⊕ X 4st



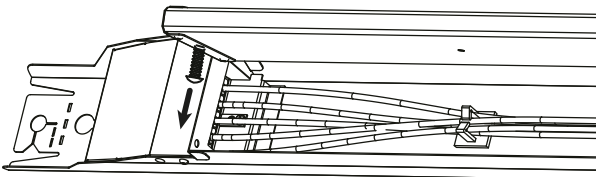
A

B

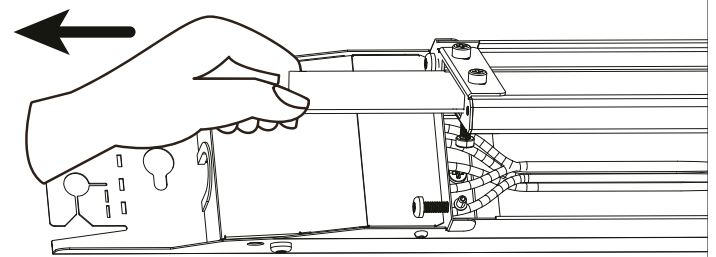


C

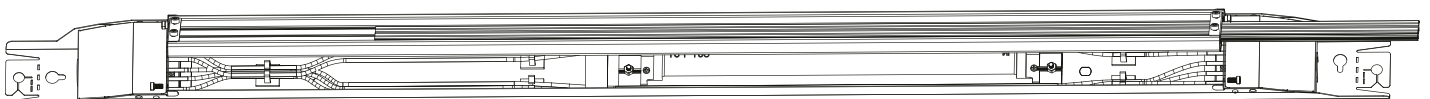
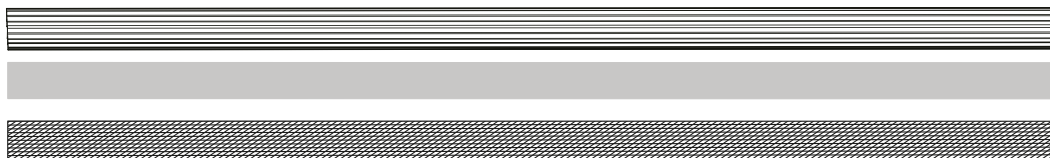
Lens exchange



A



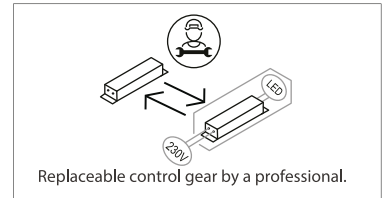
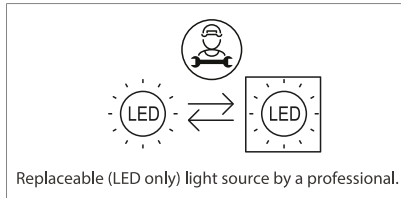
B



Caution: for prismatic diffuser, put smooth side in, frosted side out

C

CCT	EET
4000/5000K	B
3000/6500K	C

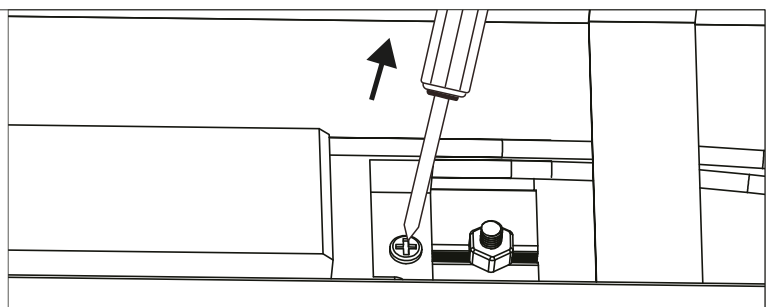
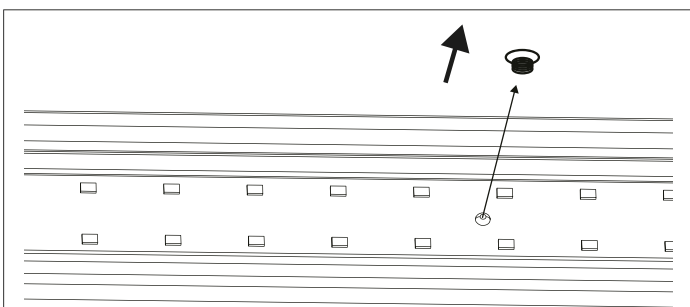
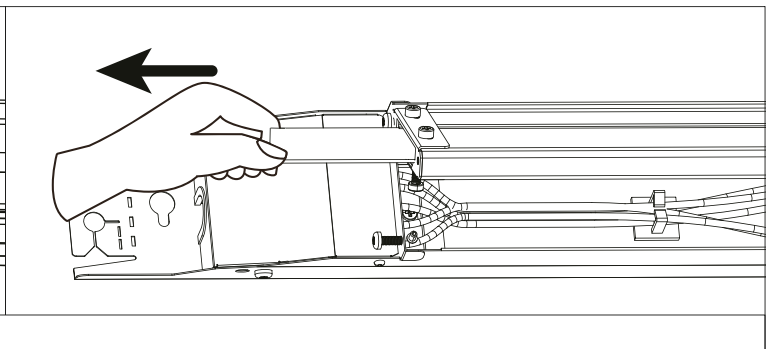
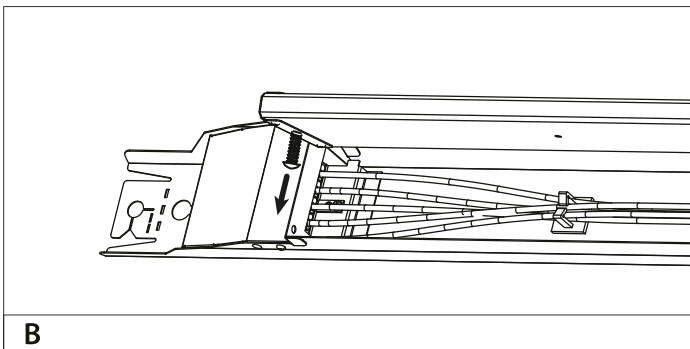
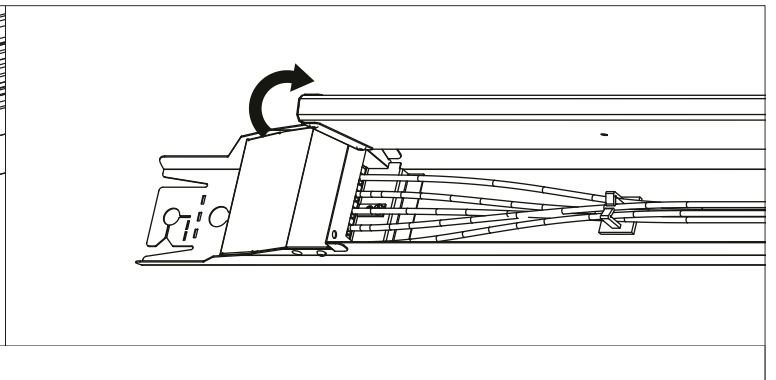
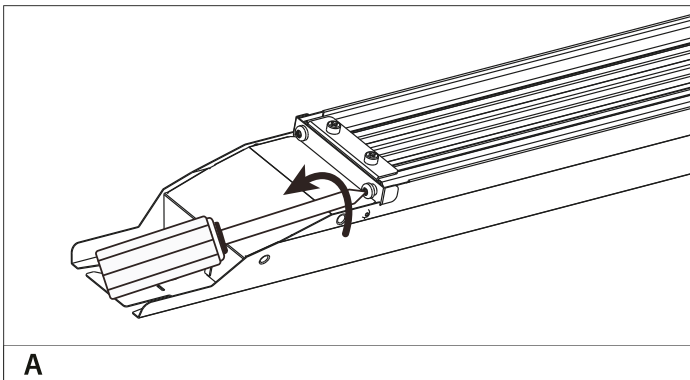
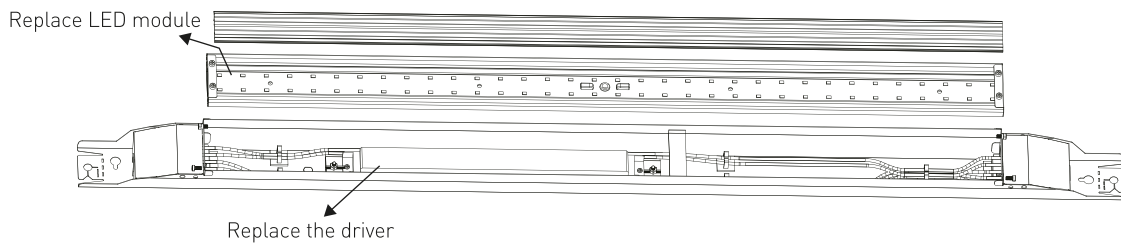


This product contains a light source of energy efficiency class . (3000K, 6500K)
 This product contains a light source of energy efficiency class <C>. (4000K, 5000K)



Replacement steps:

- Unscrew the screws on both sides, and open the cover;
- Loosen the 4*20 screw until the lens can be completely pulled out;
- Disconnect the DC cable;
- Remove the protective coil and the nylon rivets on the PCB board, and then pull out the PCB board;
- Replace the LED module or power supply accordingly.



C-D-E