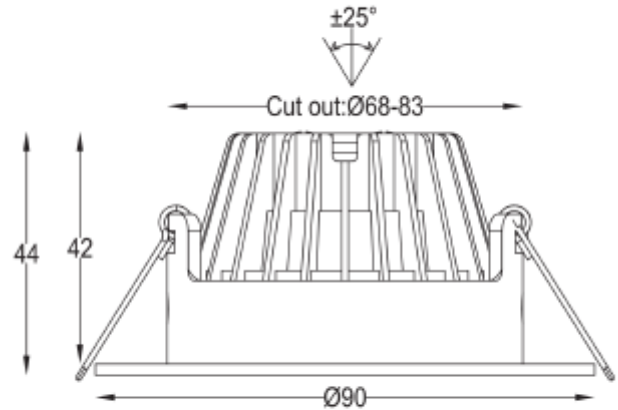
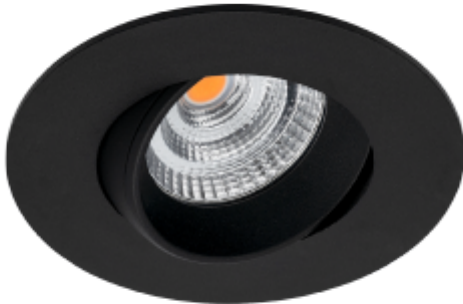


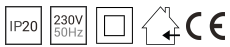


## FDV SPEC SHEET

Icarus 500lm 927 36° 7W BK phasecut Isosafe  
Art. no: 101970-36-2



# Icarus 500lm 927 36° 7W BK phasecut Isosafe



Art. no: 101970-36-2

### LIGHT TECHNICAL

|                          |                |
|--------------------------|----------------|
| Lightsource Type:        | LED (built in) |
| Lumen Output:            | 456            |
| Lumen LED (tc=25):       | 500            |
| Beam Angle:              | 36°            |
| CCT (Color Temperature): | 2700           |
| CRI / Ra:                | 95             |
| Color Code:              | 927            |
| MacAdam (SDCM):          | 3              |
| Lens (Diffuser):         | Clear          |



## FDV SPEC SHEET

Icarus 500lm 927 36° 7W BK phasecut Isosafe

Art. no: 101970-36-2



### MOUNTING / CONNECTION

|               |              |
|---------------|--------------|
| Connection:   | QuickConnect |
| Cut-out [mm]: | Ø68-83       |
| Mounting:     | Ceiling      |

### PRODUCT

|                               |                             |
|-------------------------------|-----------------------------|
| To be recessed in insulation: | Yes, recessed in insulation |
| Ingress Protection:           | IP20                        |
| Impact Protection:            | IK02                        |
| Operating Temperature [°C]:   | -20 - 45                    |
| Lifetime [h]:                 | L80B10: 100 000             |
| Color:                        | Black                       |
| RAL:                          | RAL9005                     |
| Height [mm]:                  | 44                          |
| Diameter [mm]:                | 90                          |
| Weight [kg]:                  | 0,3                         |
| Housing Material :            | Aluminium                   |
| Diffuser Material:            | Polycarbonate               |
| Material 2:                   | Polycarbonate               |
| Housing Material :            | Aluminium                   |
| Diffuser Material:            | Polycarbonate               |
| Material 2:                   | Polycarbonate               |

### ELECTRICAL DATA

|  |                         |
|--|-------------------------|
| UGR (<=):                              | 22                      |
| Dimming:                               | Phase-Cut               |
| Dimming Phasecut Type:                 | Leading / Trailing edge |
| Flickerfree:                           | Yes                     |
| Standby power P <sub>sb</sub> (W) <:   | 0,5                     |
| Flicker metric (P <sub>st</sub> LM) <: | 1                       |
| Stroboscopic effect metric (SVM) <     | 0,4                     |
| System Power [W]:                      | 7                       |
| System Voltage [V]:                    | 230V 50Hz               |
| Protection Class:                      | 2                       |
| Max load pr circuit - B10:             | 87                      |
| Max load pr circuit - B16:             | 225                     |
| Max load pr circuit - C10:             | 175                     |
| Max load pr circuit - C16:             | 450                     |
| Leakage current [mA]:                  | 5                       |
| Inrush current I <sub>max</sub> [A]:   | 8                       |
| Inrush current time [µs]:              | 13,5                    |
| Socket / Cap-Base:                     | N/A                     |
| Current Output [mA]:                   | 350                     |
| Voltage Forward Min [V]:               | 13,4                    |
| Voltage Forward Max [V]:               | 15,8                    |