



PRODUCT SHEET

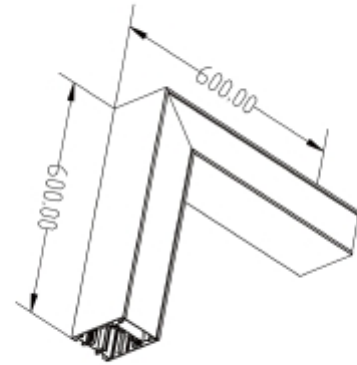
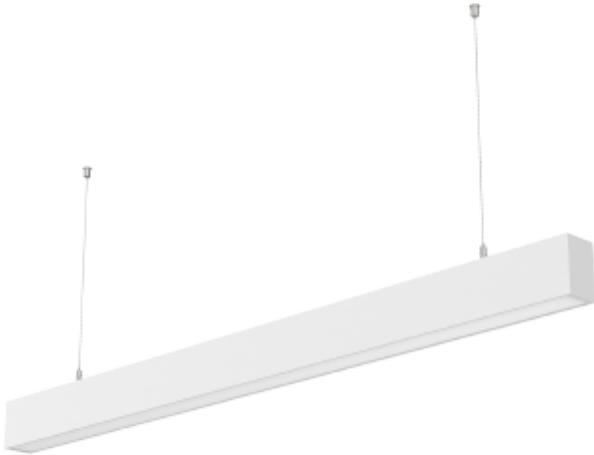
Ledline

Art. no: 805005-3-ddd



Lighting Solutions

Ledline



| SPECIFICATIONS | |
|--------------------------|-------------------------------------|
| Lightsource Type: | LED (built in) |
| System Power [W]: | 40W |
| CCT (Color Temperature): | 3000K |
| CRI / Ra: | 80 |
| Lumen Output: | 3650lm |
| Lumen LED (tc=25): | 4400lm |
| Beam Angle: | 110 |
| Lens (Diffuser): | Opal |
| Dimming: | DALI |
| System Voltage [V]: | 230V 50Hz |
| Connection: | LEDLine 5-pin |
| Mounting: | Recessed, Surface, Ceiling, Pendant |
| Lifetime [h]: | L80B10: 100 000h |
| Lumen/W: | 92lm/W |
| Color: | White |
| Length [mm]: | 600mm |
| Height [mm]: | 84mm |
| Width [mm]: | 600mm |
| Weight [kg]: | 3,3kg |

LEDline is a modern linear LED system for seamless lighting. It is based on modular chassis details allowing for seamless extensions through both straight connectors, 90 degrees corners and X-crosses. This allows light designers to make tailor fit lighting systems in an easy manner. The chassis details assure easy installation without failures. Add 1 pc 8050-05 for each mains supply (each row or standalone). Also add mounting accessories.