



PRODUCT SHEET

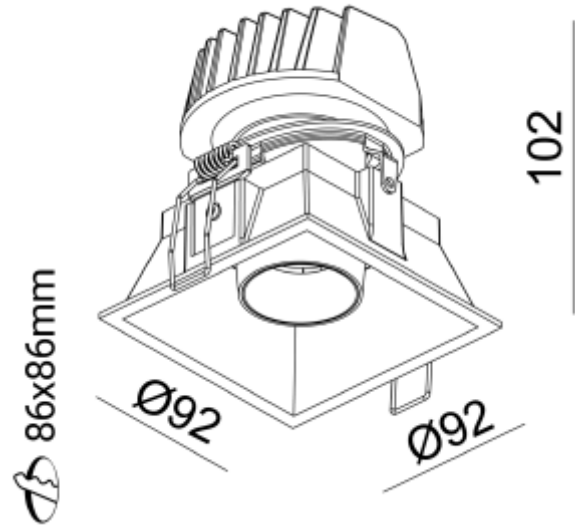
Make D2W 45-950lm 930-919 34° 9,4W WH w/o driver

Art. no: 11080-D2W-34-3



Lighting Solutions

Make D2W 45-950lm 930-919 34° 9,4W WH w/o driver



Make is a square downlight in single version that comes with Dim 2 Warm function. The color temperature (K) can be adjusted between 3000K and 1900K through dimming. Rotatable 360° and tiltable 20°. Driver is not included and sold separately. See accessories for recommended drivers.



SPECIFICATIONS	
Lightsource Type:	LED (built in)
System Power [W]:	9,4W
CCT (Color Temperature):	3000-1900K D2W
CRI / Ra:	90
Lumen LED (tc=25):	45-950lm
Beam Angle:	34°
Lens (Diffuser):	Clear
Dimming:	Depending on Driver
System Voltage [V]:	230V 50Hz
Connection:	Depending on driver
Mounting:	Recessed, Ceiling
Cut-out [mm]:	86X86mm
Lifetime [h]:	L80B10: 100 000h
MacAdam (SDCM):	3
Color:	White
Length [mm]:	92mm
Height [mm]:	107mm
Width [mm]:	92mm
To be recessed in insulation:	No