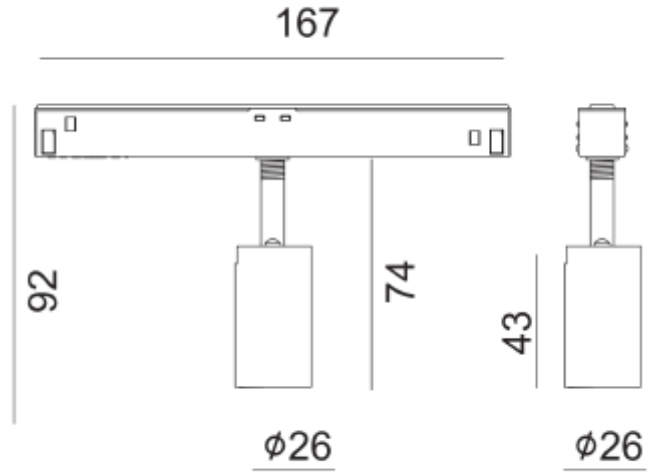




FDV SPEC SHEET
 Flare 26 48V
 Art. no: 101470-23-2-ddd



Flare 26 48V



Art. no: 101470-23-2-ddd

LIGHT TECHNICAL

Lumen Output:	210
Lumen LED (tc=25):	210
Beam Angle:	23°
CCT (Color Temperature):	2700
CRI / Ra:	90
Color Code:	927

MOUNTING / CONNECTION

Connection:	Track EVO 48V
Mounting:	Track

PRODUCT

Ingress Protection:	IP20
Color:	Black
Length [mm]:	74
Width [mm]:	26
Diameter [mm]:	26

ELECTRICAL DATA

Dimming:	DALI
Standby power Psb (W) <:	0,5
System Power [W]:	2
System Voltage [V]:	48VDC
Dimming Output Type:	Amplitude Modulation
Protection Class:	3
Socket / Cap-Base:	N/A
Current Output [mA]:	700