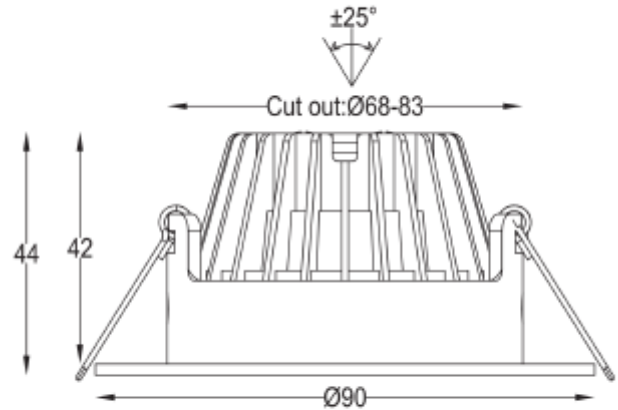


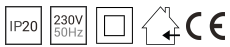


FDV SPEC SHEET

Icarus 500lm 927 36° 7W WH phasecut Isosafe 8-pack
Art. no: 101975-36-3



Icarus 500lm 927 36° 7W WH phasecut Isosafe 8-pack



Art. no: 101975-36-3

LIGHT TECHNICAL

Lightsource Type:	LED (built in)
Lumen Output:	456
Lumen LED (tc=25):	500
Beam Angle:	36°
CCT (Color Temperature):	2700
CRI / Ra:	95
Color Code:	927
MacAdam (SDCM):	3
Lens (Diffuser):	Clear

MOUNTING / CONNECTION

Connection:	QuickConnect
Cut-out [mm]:	Ø68-83
Mounting:	Ceiling



FDV SPEC SHEET

Icarus 500lm 927 36° 7W WH phasecut Isosafe 8-pack
Art. no: 101975-36-3



PRODUCT		ELECTRICAL DATA	
To be recessed in insulation:	Yes, recessed in insulation	UGR (<=):	22
Ingress Protection:	IP20	Dimming:	Phase-Cut
Impact Protection:	IK02	Dimming Phasecut Type:	Leading / Trailing edge
Operating Temperature [°C]:	-20 - 45	Flickerfree:	Yes
Lifetime [h]:	L80B10: 100 000	Standby power P _{sb} (W) <:	0,5
Color:	White	Flicker metric (P _{st} LM) <:	1
RAL:	RAL9010	Stroboscopic effect metric (SVM) <	0,4
Height [mm]:	44	System Power [W]:	7
Diameter [mm]:	90	System Voltage [V]:	230V 50Hz
Weight [kg]:	0,3	Protection Class:	2
Housing Material :	Aluminium	Max load pr circuit - B10:	87
Diffuser Material:	Polycarbonate	Max load pr circuit - B16:	225
Material 2:	Polycarbonate	Max load pr circuit - C10:	175
		Max load pr circuit - C16:	450
		Leakage current [mA]:	5
		Inrush current I _{max} [A]:	8
		Inrush current time [µs]:	13,5
		Socket / Cap-Base:	N/A
		Current Output [mA]:	350
		Voltage Forward Min [V]:	13,4
		Voltage Forward Max [V]:	15,8