



## FDV SPEC SHEET

Rise L

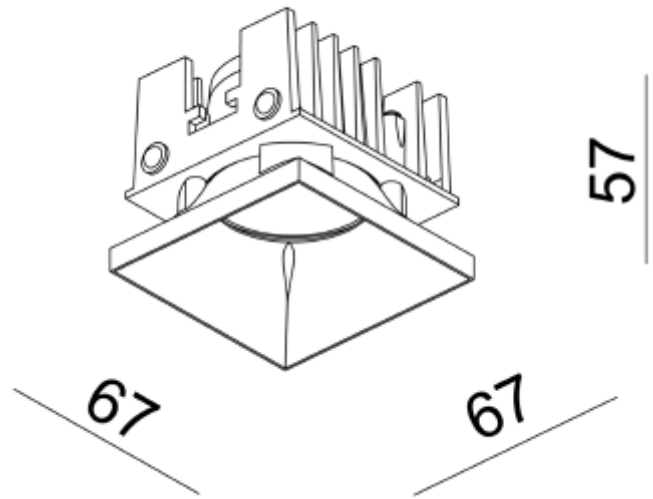
Art. no: 11094-32-2

# NORLUX®

Lighting Solutions



76x76mm



## Rise L



Art. no: 11094-32-2

### LIGHT TECHNICAL

Lumen LED (tc=25):	900
Beam Angle:	32°
CCT (Color Temperature):	3000
CRI / Ra:	90
Color Code:	930

### MOUNTING / CONNECTION

Connection:	Terminal
Cut-out [mm]:	76x76
Mounting:	Recessed, Ceiling

### PRODUCT

Ingress Protection:	IP20
Color:	Black
Length [mm]:	67
Height [mm]:	57
Width [mm]:	67

### ELECTRICAL DATA

Dimming:	Phase-Cut
Dimming Phasecut Type:	Leading / Trailing edge
System Power [W]:	9,2
System Voltage [V]:	230V 50Hz
Protection Class:	1
Max load pr circuit - B10:	35
Max load pr circuit - B16:	56
Max load pr circuit - C10:	74
Max load pr circuit - C16:	118
Leakage current [mA]:	0,7
Inrush current I <sub>max</sub> [A]:	5
Inrush current time [µs]:	300
Socket / Cap-Base:	N/A
Current Output [mA]:	500
Voltage Forward Min [V]:	24,5