



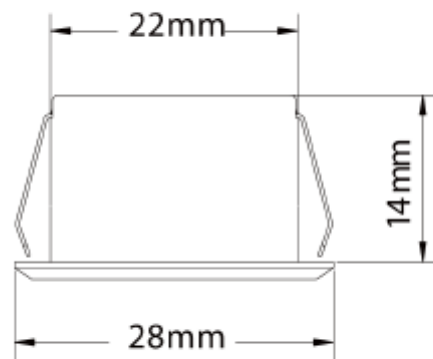
PRODUCT SHEET

Capella 150lm 827 45° 1,1W WH 2m cable w/o driver
Art. no: 2173-45-3



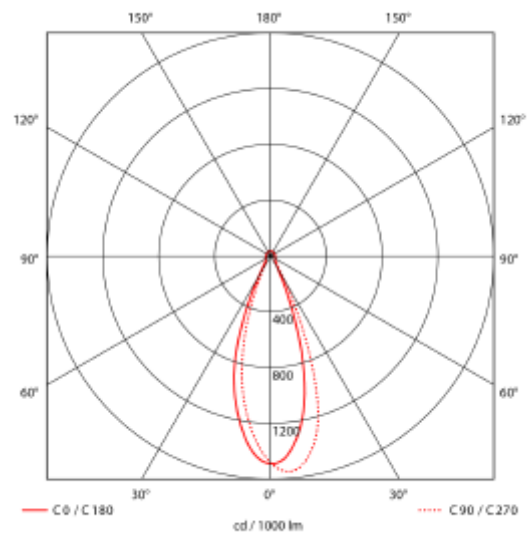
Lighting Solutions

Capella 150lm 827 45° 1,1W WH 2m cable w/o driver



SPECIFICATIONS

Lightsource Type:	LED (built in)
System Power [W]:	1,1W
CCT (Color Temperature):	2700K
CRI / Ra:	80
Lumen Output:	130lm
Lumen LED (tc=25):	130lm
Beam Angle:	45°
Lens (Diffuser):	Clear
Dimming:	Depending on Driver
Connection:	Mini connector 2m
Mounting:	Recessed, Floor, Furnishings, Furniture
Cut-out [mm]:	Ø25mm
Lifetime [h]:	L80B10: 100 000h
Lumen/W:	118lm/W
MacAdam (SDCM):	2
Color:	White
Length [mm]:	22mm
Height [mm]:	14mm
Width [mm]:	28mm





PRODUCT SHEET

Capella 150lm 827 45° 1,1W WH 2m cable w/o driver
Art. no: 2173-45-3



Mini downlight for mounting in window niches and cabinets. Includes 2m cable with quickconnect. Extension cables, connector box and front ring are available as accessories. Connects to 350mA LED driver (bought separately). Voltage 2,9-3,3V pr luminaire. Driver must be calculated with regards to voltage (because in series) and power. Both phasecut and DALI-driver can be used as on/off driver (without dimming).

On/ Off driver (LED to be wired in serial):

1-17 pcs Q4-350mA-20W-01 Driver 350mA cc (2-58V) 20W IP20 w/3m cable Euro-plug WH

Phasecut driver (LED to be wired in serial):

2-3 pcs MINID35004NT Driver 350mA cc 4W (6-12V) Phasecut Mini AcTec

5-8 pcs D35009NT Driver 350mA 9W (13-26V) Phasecut AcTec

6-15 pcs DIM350MA/18W Driver 350mA cc 18W 15-52V

PhaseCut-dim AcTEC

8-12 pcs 87500386 Driver 350mA cc(21-42V) LCBI 15W 350mA

Basic Phasecut SR ADV

9-15 pcs D35018NT Driver 350mA 18W (26-52V) Phasecut AcTec

DALI driver (LED to be wired in serial):

2-16 pcs LCM-25DA Driver 350/500/600/700/900/1050mA cc 25W

DALI/Push MeanWell

1-22 pcs 127413 Driver 350-1050mA cc 48V 60W MAXI JOLLY

AM/PWM US DALI2 TCI

1-30 pcs LCM-40D Driver 350/500/600/700/900/1050mA cc 40W

DALI/Push MeanWell