



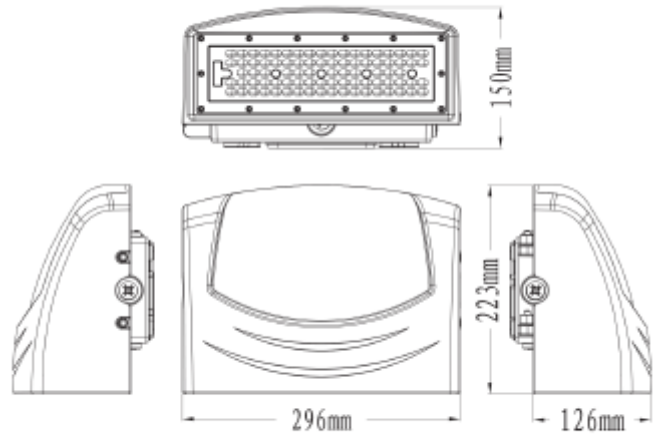
## FDV SPEC SHEET

Coxa

Art. no: 2281-2-2



Lighting Solutions



## Coxa



Art. no: 2281-2-2

### LIGHT TECHNICAL

Lightsource Type:	LED (built in)
Lumen Output:	9850
Lumen LED (tc=25):	10500
Beam Angle:	Asymmetric
CCT (Color Temperature):	3000
CRI / Ra:	70
Color Code:	730
MacAdam (SDCM):	3
Lens (Diffuser):	Clear

### MOUNTING / CONNECTION

Connection:	Terminal
Mounting:	Surface, Wall

### ELECTRICAL DATA

Dimming:	None
Dimming Output Type:	PWM
Output Hz:	300
Standby power Psb (W) <:	0,5
Flicker metric (Pst LM) <:	0,2
Stroboscopic effect metric (SVM) <	1,8
System Power [W]:	70
System Voltage [V]:	230V 50Hz
Protection Class:	1
Max load pr circuit - B10:	7
Max load pr circuit - B16:	11
Max load pr circuit - C10:	12
Max load pr circuit - C16:	19
Leakage current [mA]:	0,7
Inrush current Imax [A]:	70
Inrush current time [µs]:	334
Socket / Cap-Base:	N/A



## FDV SPEC SHEET

Coxa

Art. no: 2281-2-2



PRODUCT	
Ingress Protection:	IP65
Impact Protection:	IK10
Corrosion Class:	C3
Wind force (EPA) [m2] at 0°:	0,08
Surge Protection:	L-N = 4KV, L/N-PE = 6KV
Operating Temperature [°C]:	-30 - 50
Lifetime [h]:	L80B10: 100 000
Color:	Black
RAL:	RAL9017
Length [mm]:	223
Height [mm]:	296
Width [mm]:	150
Weight [kg]:	3,9