



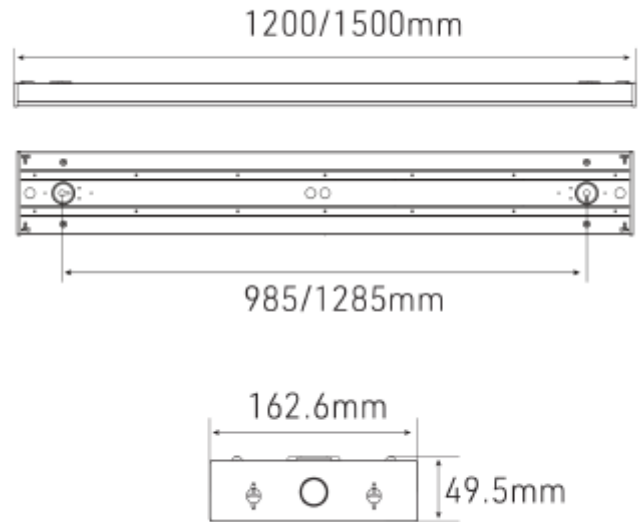
FDV SPEC SHEET

Uniplus NWC 5000lm 830 90° 40W 5x2,5mm2 1500mm WH

Art. no: 103052-NW-90-3



Lighting Solutions



Uniplus NWC 5000lm 830 90° 40W 5x2,5mm2 1500mm



Art. no: 103052-NW-90-3

LIGHT TECHNICAL

Lightsource Type:	LED (replaceable)
Lumen Output:	4400
Lumen LED (tc=25):	5000
Beam Angle:	90°
CCT (Color Temperature):	3000
CRI / Ra:	80
Color Code:	830
MacAdam (SDCM):	3
Lens (Diffuser):	Micropris.
UGR (<=):	19

ELECTRICAL DATA

Dimming:	Norlux Wireless Connect
Flickerfree:	Yes
System Power [W]:	40
Protection Class:	1
Socket / Cap-Base:	N/A
Current Output [mA]:	60mA

MOUNTING / CONNECTION

Connection:	QuickConnect
Mounting:	Surface, Suspended, Ceiling

PRODUCT

Impact Protection:	IK06
Color:	White
RAL:	RAL9003
Length [mm]:	1500
Height [mm]:	49,5
Width [mm]:	162,6