



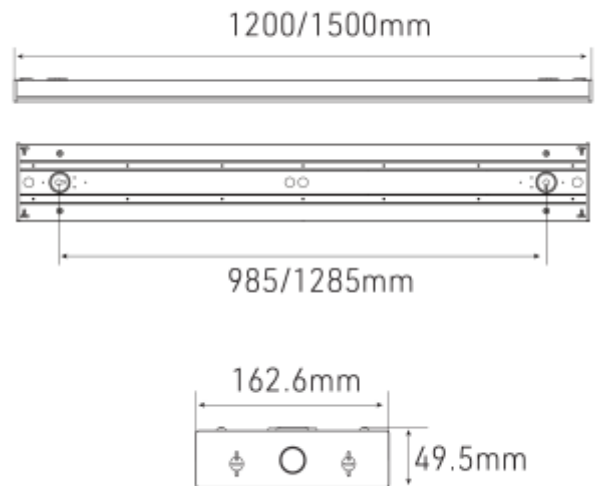
PRODUCT SHEET

Uniplus NWC 5000lm 830 90° 40W 5x2,5mm2 1500mm WH
Art. no: 103052-NW-90-3



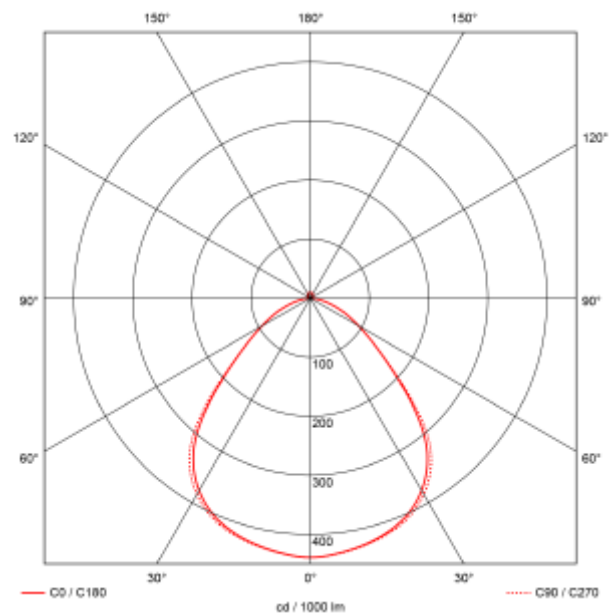
Lighting Solutions

Uniplus NWC 5000lm 830 90° 40W 5x2,5mm2 1500mm



SPECIFICATIONS

Lightsource Type:	LED (replaceable)
System Power [W]:	40W
CCT (Color Temperature):	3000K
CRI / Ra:	80
Lumen Output:	4400lm
Lumen LED (tc=25):	5000lm
Beam Angle:	90°
Lens (Diffuser):	Micropris.
Dimming:	Norlux Wireless Connect
Flickerfree:	Yes
Connection:	QuickConnect
Mounting:	Surface, Suspended, Ceiling
Lumen/W:	110lm/W
UGR (<=):	19
MacAdam (SDCM):	3
Color:	White
Length [mm]:	1500mm
Height [mm]:	49,5mm
Width [mm]:	162,6mm
Weight [kg]:	3,42kg





PRODUCT SHEET

Uniplus NWC 5000lm 830 90° 40W 5x2,5mm2 1500mm WH

Art. no: 103052-NW-90-3



Lighting Solutions

Uniplus is a high-efficiency luminaire that provides excellent light quality. Specifically designed to replace older T8 and T5 luminaires. Focusing on energy saving, Uniplus offers impressive performance, which in turn contributes to reduced operating costs.

Easy installation with 2.5mm² pass-through connection. Low glare with UGR19 and up to 150lm/W. The luminaire comes with a DIP switch, allowing you to customize the power level as needed. With a microprismatic diffuser, a uniform and pleasant light distribution is ensured throughout the area, and with a lifetime of L80B10 = 100,000 hours, maintenance needs are minimized.

Can also be mounted suspended. Natural areas of use are schools, offices, warehouses, garages, and technical rooms. The luminaire has an IP40 classification.

Variants: Available in lengths of 120cm and 150cm. Width: 16.2cm. Height 49.5mm. A DALI version (150cm) is also available for those looking for more advanced lighting control systems.

Adjustable power level

With a DIP switch, you can change the power level.

Power level: Uniplus, 120cm:

31W = 4500lm | 27W = 3933lm | 23W = 3390lm | 18W = 2700lm

Power level: Uniplus, 150cm:

39W = 5670lm | 34W = 5000lm | 28W = 4130lm | 23W = 3470lm