



PRODUCT SHEET

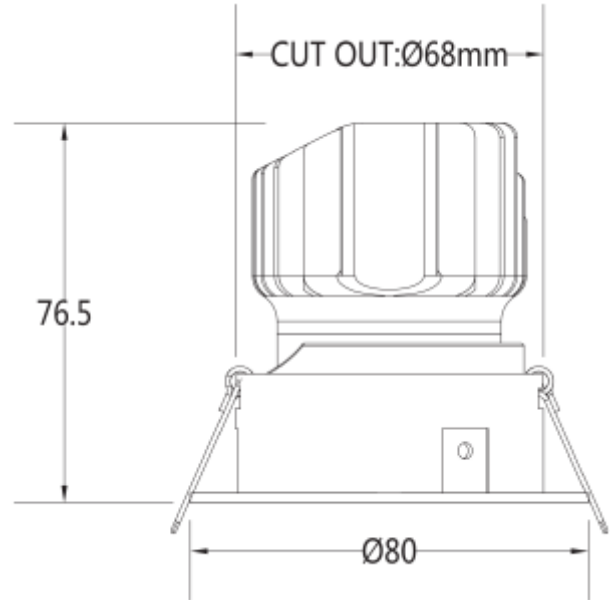
Cilla Mini

Art. no: 102720-30-3-ddd



Lighting Solutions

Cilla Mini



SPECIFICATIONS	
Lightsource Type:	LED (built in)
System Power [W]:	7W
CCT (Color Temperature):	2700K
CRI / Ra:	95
Lumen Output:	670lm
Lumen LED (tc=25):	1100lm
Beam Angle:	30°
Lens (Diffuser):	Lens
Dimming:	DALI
Flickerfree:	Yes
System Voltage [V]:	230V 50Hz
Connection:	18i5 DALI Quick connection
Mounting:	Recessed
Cut-out [mm]:	68mm
Lifetime [h]:	L80B10: 100 000h
Lumen/W:	95lm/W
UGR (<=):	19
MacAdam (SDCM):	3
Color:	White
Length [mm]:	80mm
Height [mm]:	76,5mm
Width [mm]:	80mm
Diameter [mm]:	80mm
Weight [kg]:	0,26kg
Emergency light [h]:	No Emergency light
Emergency light testing:	N/A
To be recessed in insulation:	Not applicable

Cilla Mini is an elegant and functional downlight, perfect for hotels, restaurants, or modern homes. It provides comfortable and atmospheric lighting with low glare, thanks to its high color rendering index of CRI 95 and a warm color temperature of 2700K or 3000K. With a recessed light source, it creates an inviting ambiance that highlights details.

With a compact design measuring 80mm in diameter and 76.5mm in height, Cilla Mini integrates seamlessly into any room. Its IP44 rating ensures that the lamp is both dust and splash-resistant, making it ideal for various applications. Designed for recessed installation, it is supplied without a driver, which must be purchased separately. For added flexibility, you can choose between front rings in three different colors to match your interior style.

Cilla Mini the perfect combination of design, functionality, and quality.