



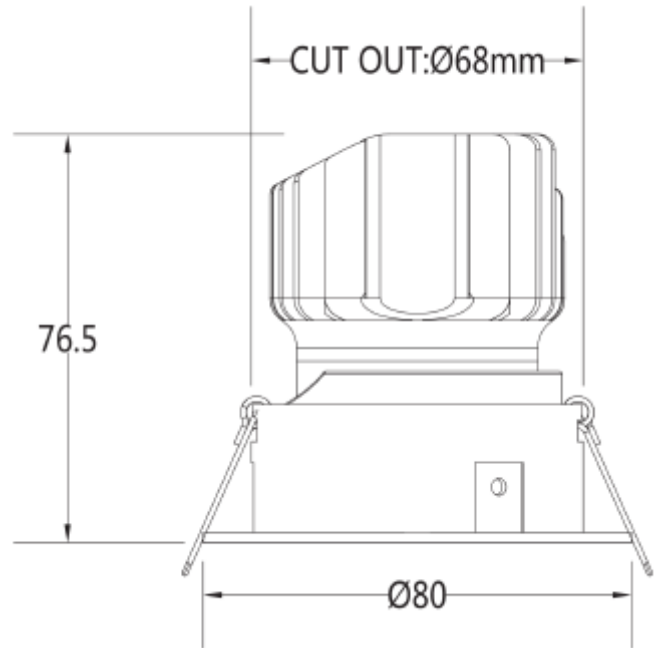
FDV SPEC SHEET

Cilla Mini

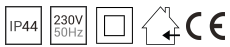
Art. no: 102721-30-2



Lighting Solutions



Cilla Mini



Art. no: 102721-30-2

LIGHT TECHNICAL

Lightsource Type:	LED (built in)
Lumen Output:	670lm
Lumen LED (tc=25):	1100
Beam Angle:	30°
CCT (Color Temperature):	3000
CRI / Ra:	95
Color Code:	930
MacAdam (SDCM):	3
Lens (Diffuser):	Lens

MOUNTING / CONNECTION

Connection:	Depending on driver
Cut-out [mm]:	68mm
Mounting:	Recessed

ELECTRICAL DATA

UGR (<=):	19
Dimming:	Depending on Driver
Flickerfree:	Yes
System Power [W]:	7
System Voltage [V]:	230V 50Hz
Protection Class:	2
Socket / Cap-Base:	N/A
Current Output [mA]:	150
Voltage Forward Max [V]:	33
Emergency light [h]:	No Emergency light



FDV SPEC SHEET

Cilla Mini

Art. no: 102721-30-2



Lighting Solutions

PRODUCT

To be recessed in insulation:	No
Ingress Protection:	IP44
Impact Protection:	IK02
Operating Temperature [°C]:	-20 - 45
Lifetime [h]:	L80B10: 100 000
Color:	Black
RAL:	RAL9005
Length [mm]:	80
Height [mm]:	76,5
Width [mm]:	80
Diameter [mm]:	80
Weight [kg]:	0,24
Housing Material :	Aluminium
Diffuser Material:	PMMA
Material 2:	Srpings