



FDV SPEC SHEET

Cold 10

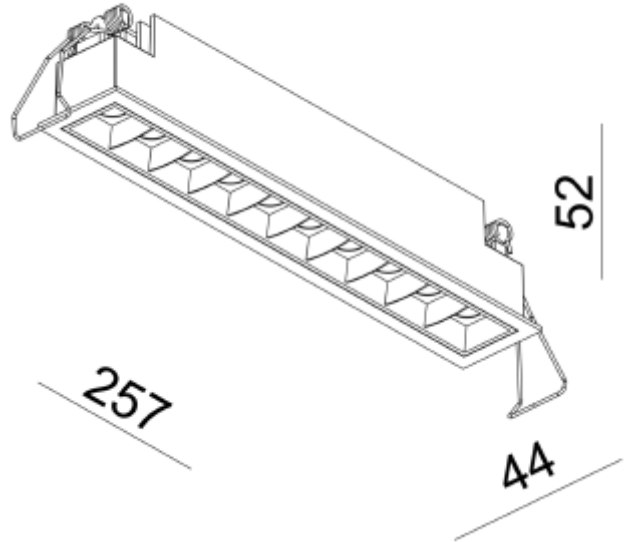
Art. no: 1112-30-2



Lighting Solutions



250x36mm



Cold 10



Art. no: 1112-30-2

LIGHT TECHNICAL

| | |
|--------------------------|----------------|
| Lightsource Type: | LED (built in) |
| Lumen Output: | 1920 |
| Lumen LED (tc=25): | 2100 |
| Beam Angle: | 30° |
| CCT (Color Temperature): | 2700 |
| CRI / Ra: | 90 |
| Color Code: | 927 |
| Lens (Diffuser): | None |

MOUNTING / CONNECTION

| | |
|---------------|---------------------|
| Connection: | Depending on driver |
| Cut-out [mm]: | 250x36 |
| Mounting: | Recessed, Ceiling |

ELECTRICAL DATA

| | |
|--------------------------------------|-------------------------|
| Dimming: | Depending on Driver |
| Dimming Output Type: | Amplitude Modulation |
| Dimming Phasecut Type: | Leading / Trailing edge |
| Flickerfree: | Yes |
| Flicker metric (Pst LM) <: | 1 |
| Stroboscopic effect metric (SVM) < | 0,4 |
| System Power [W]: | 2x10 |
| System Voltage [V]: | 230V 50Hz |
| Protection Class: | 3 |
| Max load pr circuit - B10: | 35 |
| Max load pr circuit - B16: | 56 |
| Max load pr circuit - C10: | 74 |
| Max load pr circuit - C16: | 118 |
| Leakage current [mA]: | 7 |
| Inrush current I _{max} [A]: | 5 |
| Inrush current time [µs]: | 300 |
| Socket / Cap-Base: | N/A |
| Voltage Forward Max [V]: | 30 |



FDV SPEC SHEET

Cold 10

Art. no: 1112-30-2



Lighting Solutions

PRODUCT

| | |
|-------------------------------|---------------------------------|
| To be recessed in insulation: | No |
| Ingress Protection: | IP20 |
| Lifetime [h]: | L80B10: 100 000 |
| Color: | Black |
| Length [mm]: | 257 |
| Height [mm]: | 52 |
| Width [mm]: | 44 |
| Weight [kg]: | 0,7 |
| Housing Material : | Aluminium |
| Material 2: | Mechanical installed part(Steel |