



PRODUCT SHEET

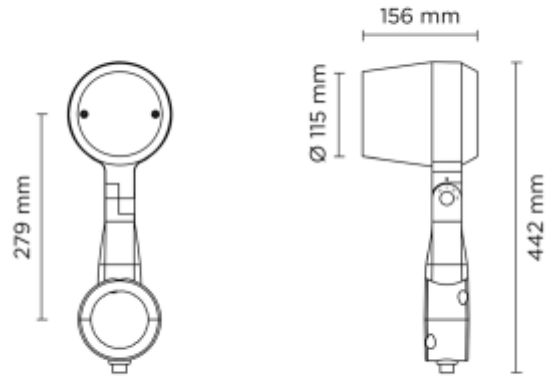
Ring Pole Medium 830 16W Ø60mm RAL3009

Art. no: 807002



Lighting Solutions

Ring Pole Medium 830 16W Ø60mm RAL3009



This outdoor floodlight is designed for pole installation with a diameter of either 60 mm. Featuring a 355° swivel pole attachment, it allows for extensive movement and offers horizontal adjustment within a range of +90° to -40°. The construction includes a base and head made of phosphochromatised and polyester powder-coated die-cast copper-free aluminum, ensuring durability and resistance to corrosion. This variant is painted in color RAL3009. The light source is safeguarded by tempered safety glass, and the entire unit is sealed with moulded silicone gaskets and O-rings, all secured with stainless steel screws. The swivel pole joint is equipped with a graduated scale for precision and a mechanical aiming lock for secure positioning. Illumination is provided by a COB CREE "CXB 1512" LED, and the unit includes a built-in LED driver. With an IP66 rating, this floodlight offers robust protection against dust and water ingress, making it suitable for various outdoor applications.

IP66

230V
50Hz

SPECIFICATIONS	
System Power [W]:	16W
CCT (Color Temperature):	3000K
CRI / Ra:	80
Dimming:	None
System Voltage [V]:	230V 50Hz
Connection:	Cable
Mounting:	Mast
Color:	RAL3009
Length [mm]:	156mm
Height [mm]:	422mm
Width [mm]:	115mm
Weight [kg]:	3kg