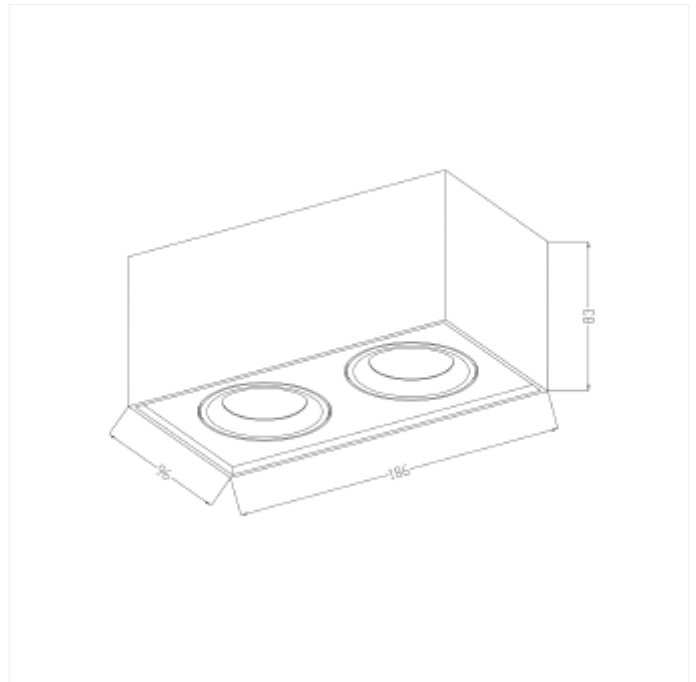




PRODUCT FAMILY SHEET

Cobra 360° Rotatable Surface Double



Cobra 360° Rotatable Surface Double

Cobra 360° Rotatable Surface is a flexible surface mounted downlight developed from our vast experience with earlier models. The 360° rotatable fixed light head makes it possible to tilt the light beam up to 25 degrees in all directions.

VERSIONS

Art.No	Effect [W]	Cold Lumen [lm]	Lumen Output [lm]	CCT [K]	Beam Angle [°]	Lens Difuser	CRI [>]	Color	Light Control	Connection
6927-D2W-38-2	2x8	1100	1000	00-2000K D	38°	Clear	90	Black	Phase-Cut	QuickConnect
6927-D2W-38-3	2x8	1100	1000	00-2000K D	38°	Clear	90	White	Phase-Cut	QuickConnect
6927-38-3	2x8	1300	1180	2700	38°	Clear	90	White	Phase-Cut	QuickConnect
6927-38-2	2x8	1300	1180	2700	38°	Clear	90	Black	Phase-Cut	QuickConnect