

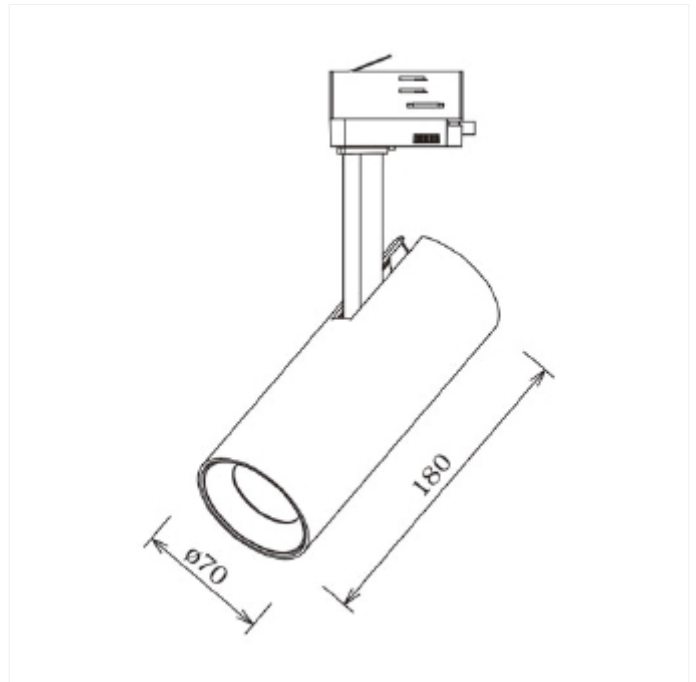


PRODUCT FAMILY SHEET

Cylinder 70



Lighting Solutions



Cylinder 70

The Cylinder uses the possibilities created by new technology. The LED driver is mounted inside the luminaire body. This gives us a slim design combined with a powerful light output that can be easily adjusted in all directions to meet all needs. Cylinder can be tilted 90 degrees and rotated 350 degrees its own axis. To create further opportunities to "play" with light you can mount a diffuser on the luminaire, this can be ordered separately.

VERSIONS

Art.No	Effect [W]	Cold Lumen [lm]	Lumen Output [lm]	CCT [K]	Beam Angle [°]	Lens Difuser	CRI [>]	Color	Light Control	Connection
17055-7-36-3	20	2400		3000	36°	Clear	90	White	None	Track 3-Circuit
17055-24-2	20	2350	1685	3000	24°	Clear	90	Black	None	Track 3-Circuit
17055-15-2	20	2350	1717	3000	15°	Clear	90	Black	None	Track 3-Circuit