

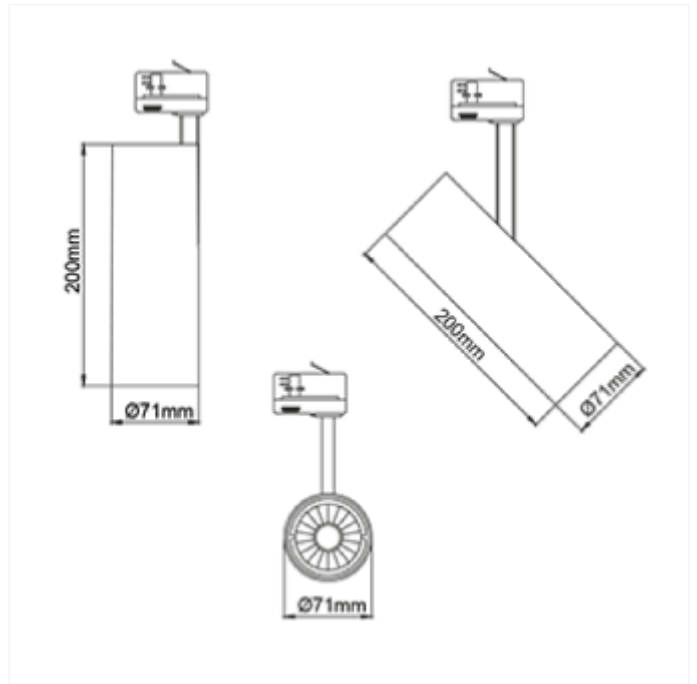


PRODUCT FAMILY SHEET

Silindir 70



Lighting Solutions



Silindir 70

The Silindir uses the possibilities created by new technology. The LED driver is mounted inside the luminaire body. This gives us a slim design combined with a powerful light output that can be easily adjusted in all directions to meet all needs. Cylinder can be tilted 90 degrees and rotated 350 degrees its own axis.

VERSIONS

Art.No	Effect [W]	Cold Lumen [lm]	Lumen Output [lm]	CCT [K]	Beam Angle [°]	Lens Difuser	CRI [>]	Color	Light Control	Connection
1081-7-40-2	20	2500	2400	3000	40°	Clear	90	Black	None	Track 3-Circuit
1081-7-40-3	20	2500	2400	3000	40°	Clear	90	White	None	Track 3-Circuit
101090-7-30-3-ddd	19			2700	30°	Clear	90	White	DALI	Track 3-Circuit+dim
1081-7-40-3-d dd	20	2500	2400	3000	40°	Clear	90	White	DALI2	Track 3-Circuit+dim
1081-7-40-2-d dd	20	2500	2400	3000	40°	Clear	90	Black	DALI2	Track 3-Circuit+dim
1081-6-40-2-d dd	20		1962	3000	40	Clear	90	Black		
101090-7-40-3	20	2500		2700	40°	Clear	90	White	None	Track 3-Circuit
1081-7-24-1-p	20	2500	2300	3000	24°	Clear	90	Grey	Phase-Cut	Track 3-Circuit
101090-7-40-2	20	2500		2700	40°	Clear	90	Black	None	Track 3-Circuit
101091-7-24-3 -p	24	2800		3000	24°	Clear	90	White	Phase-Cut	Track 3-Circuit