



FDV SPEC SHEET

Ceto Fixed

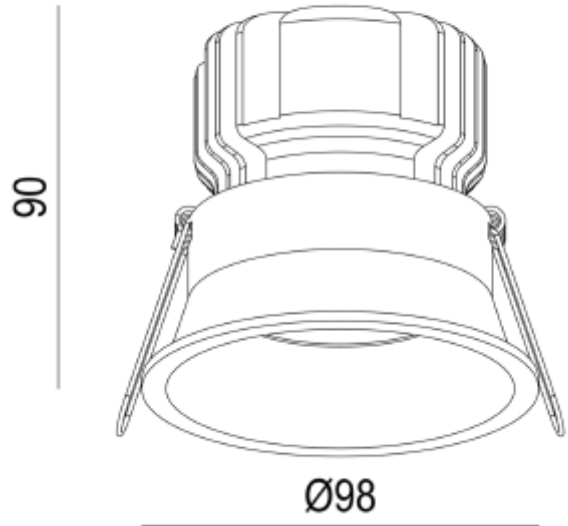
Art. no: 28830-36-2



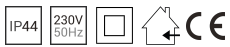
Lighting Solutions



92mm



Ceto Fixed



Art. no: 28830-36-2

LIGHT TECHNICAL

Lumen Output:	1335
Lumen LED (tc=25):	1500
Beam Angle:	36°
CCT (Color Temperature):	3000
CRI / Ra:	80
Color Code:	830
MacAdam (SDCM):	3
Lens (Diffuser):	Clear

MOUNTING / CONNECTION

Connection:	QuickConnect
Cut-out [mm]:	Ø92
Mounting:	Recessed, Ceiling

ELECTRICAL DATA

Dimming:	Phase-Cut
Dimming Phasecut Type:	Leading / Trailing edge
System Power [W]:	15
System Voltage [V]:	230V 50Hz
Protection Class:	2
Max load pr circuit - B10:	35
Max load pr circuit - B16:	56
Max load pr circuit - C10:	74
Max load pr circuit - C16:	118
Leakage current [mA]:	5
Inrush current I _{max} [A]:	5
Inrush current time [µs]:	300
Socket / Cap-Base:	N/A
Current Output [mA]:	350
Voltage Forward Min [V]:	33
Voltage Forward Max [V]:	39



FDV SPEC SHEET

Ceto Fixed

Art. no: 28830-36-2



Lighting Solutions

PRODUCT

To be recessed in insulation:	No
Ingress Protection:	IP44
Impact Protection:	IK02
Operating Temperature [°C]:	-20 - 45
Lifetime [h]:	L80B10: 100 000
Color:	Black
Height [mm]:	90
Diameter [mm]:	98
Weight [kg]:	0,25