

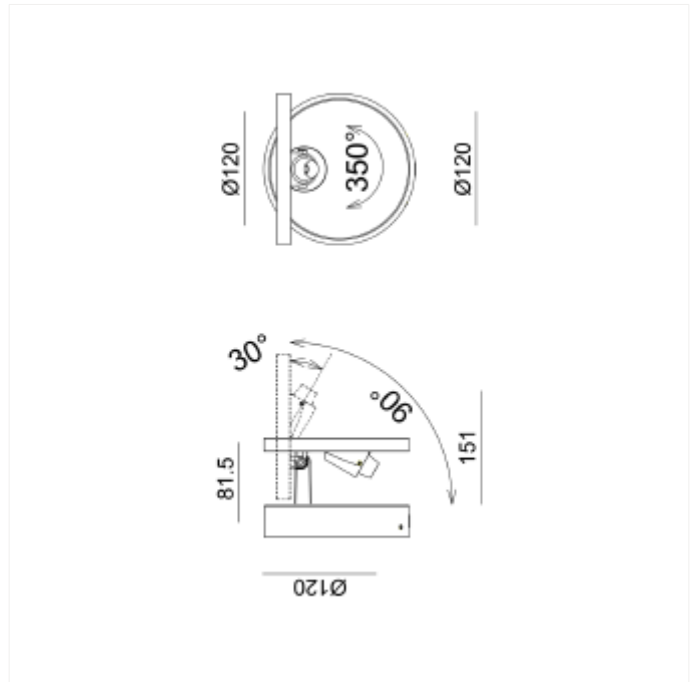


PRODUCT FAMILY SHEET

Algedi



Lighting Solutions



Algedi

Algedi are 350° rotatable and can be adjusted 90° upwards. Touch button for dim.

VERSIONS

Art.No	Effect [W]	Cold Lumen [lm]	Lumen Output [lm]	CCT [K]	Beam Angle [°]	Lens Difuser	CRI [>]	Color	Light Control	Connection
--------	------------	-----------------	-------------------	---------	----------------	--------------	-----------	-------	---------------	------------