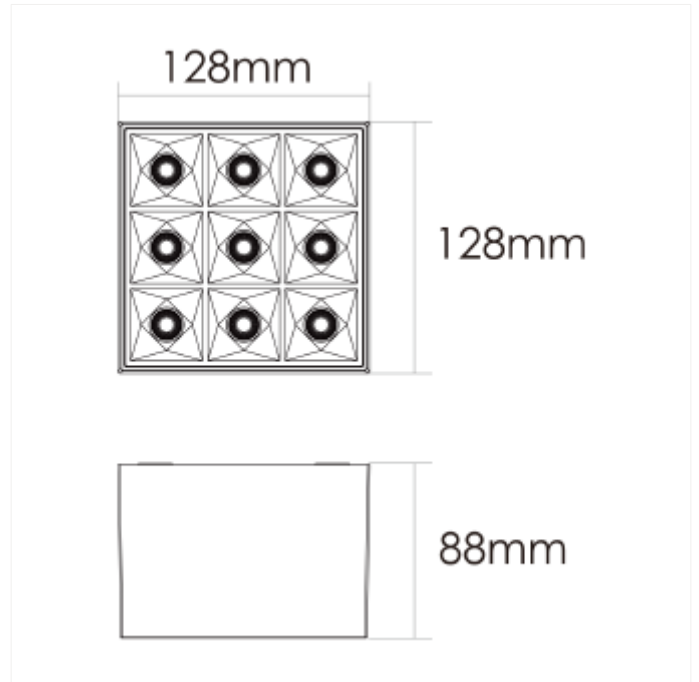




## PRODUCT FAMILY SHEET

Phoenix Surface Downlight



# Phoenix Surface Downlight

Phoenix Downlight has the latest LED technology, with micro reflector and anti-glare cover it reaches UGR17. With 35° beam angle and perfect light cutoff it's the ideal downlight for office, hotel, staircase, and corridors. Delivered with phasecut driver.

## VERSIONS

Art.No	Effect [W]	Cold Lumen [lm]	Lumen Output [lm]	CCT [K]	Beam Angle [°]	Lens Difuser	CRI [>]	Color	Light Control	Connection
--------	------------	-----------------	-------------------	---------	----------------	--------------	---------	-------	---------------	------------