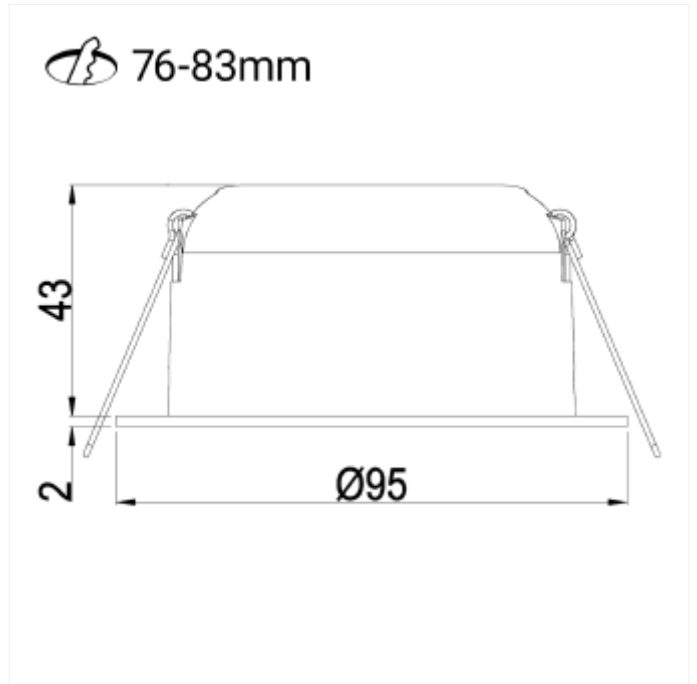




PRODUCT FAMILY SHEET

Tigrus Fixed



Tigrus Fixed

Tigrus Fixed is a low height downlight that can be mounted directly in insulation without any need for a downlightbox. With its IP65 certification, it can be used in bathrooms in private households and commercial use. CRI>95 Cut-out 76-83mm.

VERSIONS

Art.No	Effect [W]	Cold Lumen [lm]	Lumen Output [lm]	CCT [K]	Beam Angle [°]	Lens Difuser	CRI [>]	Color	Light Control	Connection
--------	------------	-----------------	-------------------	---------	----------------	--------------	---------	-------	---------------	------------