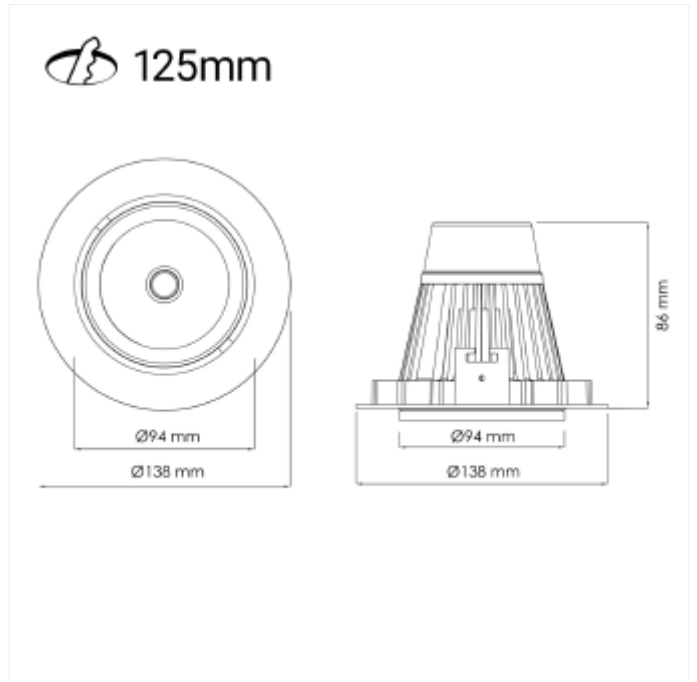




PRODUCT FAMILY SHEET
Torres Mini



Torres Mini

This is by far our most popular mini" downlight and it offers huge flexibility, tiltable up to 25 degrees. This downlight has a recessed light source giving a minimum of stray light. The Torres Mini can be supplied with a variety of connector solutions.

VERSIONS

Art.No	Effect [W]	Cold Lumen [lm]	Lumen Output [lm]	CCT [K]	Beam Angle [°]	Lens Difuser	CRI [>]	Color	Light Control	Connection
--------	------------	-----------------	-------------------	---------	----------------	--------------	---------	-------	---------------	------------