



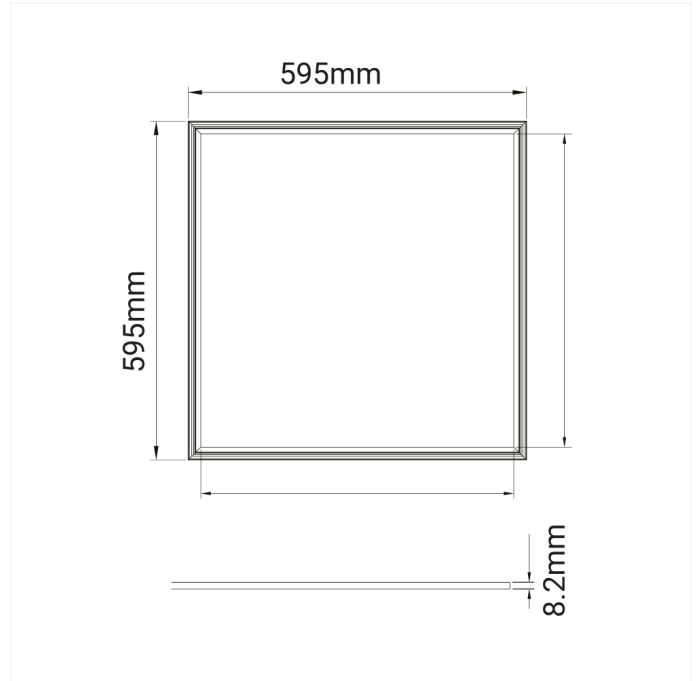
FDV SPEC SHEET

Panel Tunable White

Art. no: 0391-02-3



Lighting Solutions



Panel Tunable White



Art. no: 0391-02-3

LIGHT TECHNICAL

Lightsource Type:	LED (built in)
Lumen Output:	3868
Lumen LED (tc=25):	4250
Beam Angle:	110
CCT (Color Temperature):	2700-6500K
CRI / Ra:	80
Color Code:	827-865
Lens (Diffuser):	Micropris.
UGR (<=):	19

MOUNTING / CONNECTION

Connection:	Cable 0.5m
-------------	------------

ELECTRICAL DATA

Dimming:	Depending on Driver
System Voltage [V]:	230V 50Hz
Protection Class:	3
Max load pr circuit - B10:	10
Max load pr circuit - B16:	16
Max load pr circuit - C10:	16
Max load pr circuit - C16:	26
Leakage current [mA]:	0,5
Inrush current I _{max} [A]:	26
Inrush current time [μs]:	224
Current Output [mA]:	900



FDV SPEC SHEET

Panel Tunable White

Art. no: 0391-02-3



Lighting Solutions

PRODUCT

Ingress Protection:	IP40
Impact Protection:	IK05
Operating Temperature [°C]:	-
Color:	White
Length [mm]:	595
Height [mm]:	8,2
Width [mm]:	595